



E-KABIN O SERIES

WALL -MOUNTED ELECTRICAL ENCLOSURES

WALL MOUNTED ELECTRICAL ENCLOSURES

www.eaeelektrotechnik.com

CONTENTS

Overview	1
Easy Workshop Assembly	2
Order Information	4
Accessories	5
Dimensions	8



E-Kabin O Series Monoblock Indoor Wall Mounted Electrical Enclosures

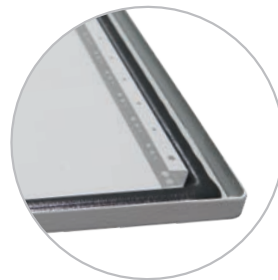
E-Kabin O Series Monoblock Enclosures are designed for general purpose electrical applications.

Application	: Indoor
Protection class	: IP 66
Type of mounting	: Wall-mounted
Paint	: Epoxy-polyester powder paint
Colour	: Standard RAL 7035
Environment class	: Acc. to EN 60721-3-3 IE32
Standards	: IEC 61439-1, IEC 62208 IEC 60529, IEC 62262

FEATURES

Support Profiles

Support profiles provides fixing surface for cables and other accessories, also increase the strenght of the door



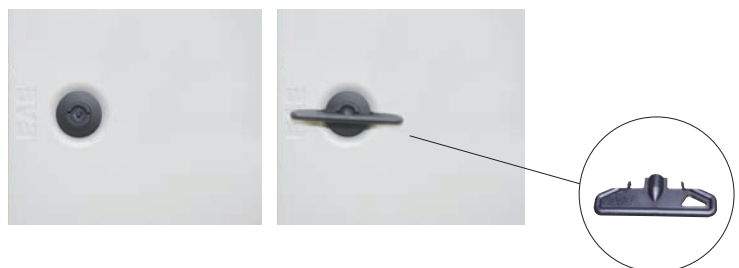
Polyurethane Gasket

Foam-in place gasket applied to the door does not loose its elasticity intime and provides protection against dust and water.



Useful Lock System

The keys are suitable to remain in the lock system, when needed.





Standard Door Opening 125°

The door can be opened 125° wide with the standard hinge set, thus full access is provided during installation.



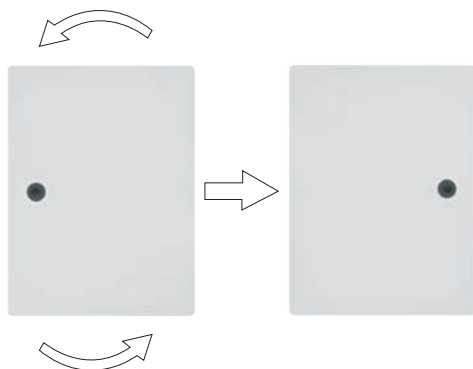
180° Hinge Accessory – Optional –

The door can be opened 180° with the optional hinge set.



Changeable door opening direction

Door opening direction can be changed if it is needed.



Useful Bracket

Wall mounting can be easily done with the bracket set.



ORDER INFORMATION

HEIGHT	WIDTH	DEPTH	ORDER CODE
200	200	150	EO 20 20 15
	300	150	EO 20 30 15
250	200	150	EO 25 20 15
300	200	150	EO 30 20 15
	250	150	EO 30 25 15
	300	200	EO 30 30 20
400	300	150	EO 40 30 15
	300	200	EO 40 30 20
	400	200	EO 40 40 20
	400	250	EO 40 40 25
	600	200	EO 40 60 20
500	350	150	EO 50 35 15
	350	200	EO 50 35 20
	400	150	EO 50 40 15
	400	200	EO 50 40 20
	500	200	EO 50 50 20
600	400	150	EO 60 40 15
	400	200	EO 60 40 20
	400	250	EO 60 40 25
	400	300	EO 60 40 30
	500	200	EO 60 50 20
	500	300	EO 60 50 30
	600	200	EO 60 60 20
	600	250	EO 60 60 25
700	500	200	EO 70 50 20
	500	250	EO 70 50 25
	500	300	EO 70 50 30
800	600	200	EO 80 60 20
	600	250	EO 80 60 25
	600	300	EO 80 60 30

Note: Standard supply content: Mounting plate, bracket set, gland plate and earthing cable.



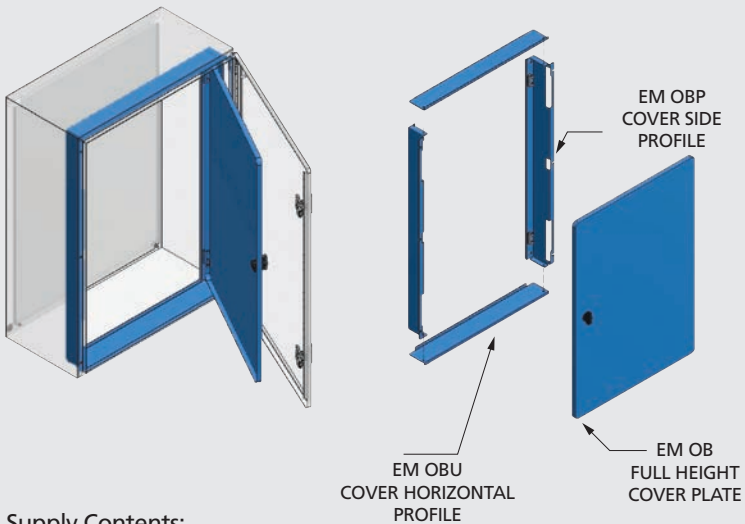
1 Lock and 2 Hinges



2 Locks and 3 Hinges

ACCESSORIES

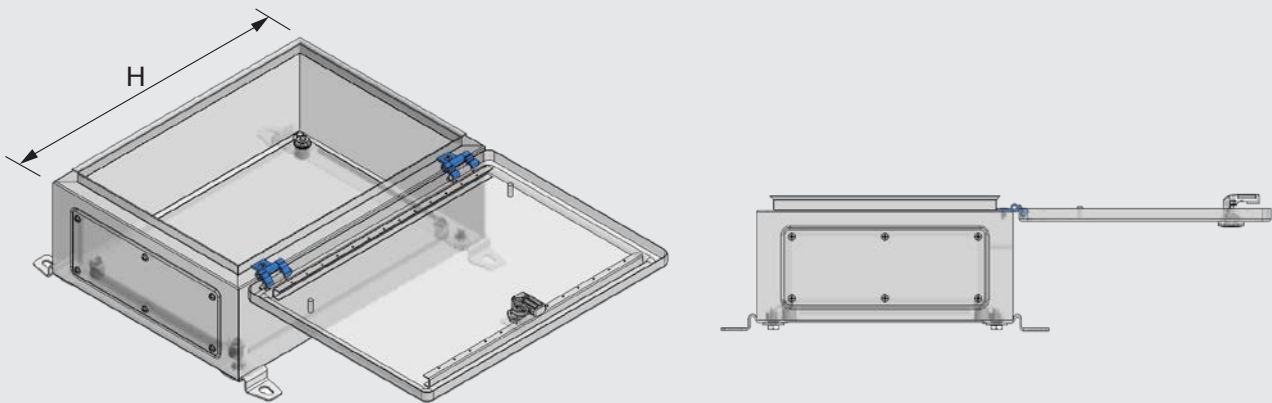
EM OB FULL HEIGHT COVER PLATE



ORDER CODE	SUITABLE ENCLOSURE DIMENSIONS
EM OB 50 35	500x350
EM OB 50 40	500x400
EM OB 60 40	600x400
EM OB 60 50	600x500
EM OB 60 60	600x600
EM OB 70 50	700x500
EM OB 80 60	800x600

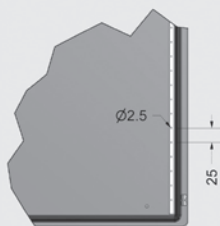
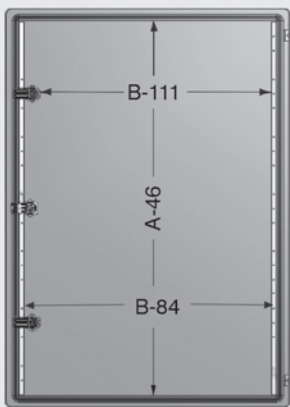
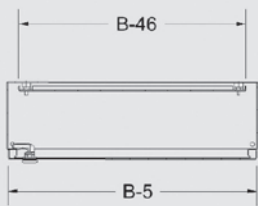
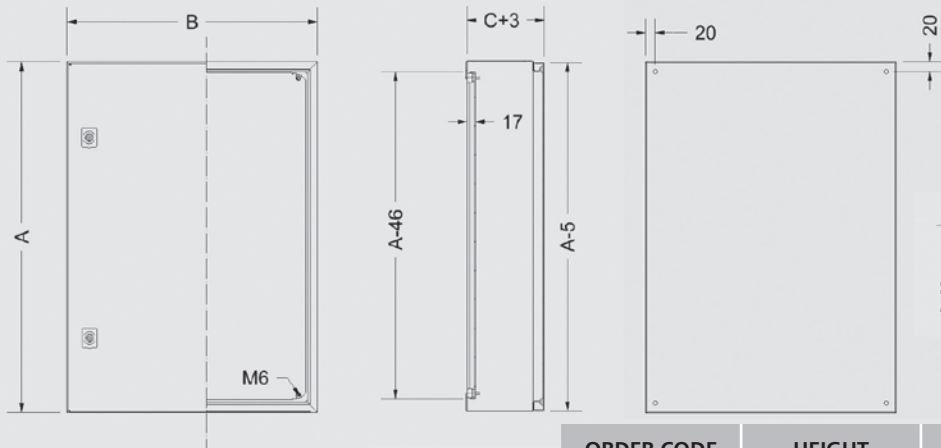
- Supply Contents;**
- EM OBP Profile 2 Pcs.
 - EM OBU Profile 2 Pcs.
 - EM OB Full Height Cover Plate 1 Pc.
 - Connection Set- 1 Set

180° HINGE SET



ORDER CODE	DESCRIPTION	SUITABLE HEIGHT
EM TA 3M	EM 180 DEGREE TRIPLE HINGE SET	H ≥ 70 cm
EM TA 2M	EM 180 DEGREE DOUBLE HINGE SET	H < 70 cm

DIMENSIONS



ORDER CODE	HEIGHT	WIDTH	DEPTH
	A	B	C
EO 20 20 15	200	200	150
EO 20 30 15	200	300	150
EO 25 20 15	250	200	150
EO 30 20 15	300	200	150
EO 30 25 15	300	250	150
EO 30 30 20	300	300	200
EO 40 30 15	400	300	150
EO 40 30 20	400	300	200
EO 40 40 20	400	400	200
EO 40 40 25	400	400	250
EO 40 60 20	400	600	200
EO 50 35 15	500	350	150
EO 50 35 20	500	350	200
EO 50 40 15	500	400	150
EO 50 40 20	500	400	200
EO 50 50 20	500	500	200
EO 60 40 15	600	400	150
EO 60 40 20	600	400	200
EO 60 40 25	600	400	250
EO 60 40 30	600	400	300
EO 60 50 20	600	500	200
EO 60 50 30	600	500	300
EO 60 60 20	600	600	200
EO 60 60 25	600	600	250
EO 60 60 30	600	600	300
EO 70 50 20	700	500	200
EO 70 50 25	700	500	250
EO 70 50 30	700	500	300
EO 80 60 20	800	600	200
EO 80 60 25	800	600	250
EO 80 60 30	800	600	300

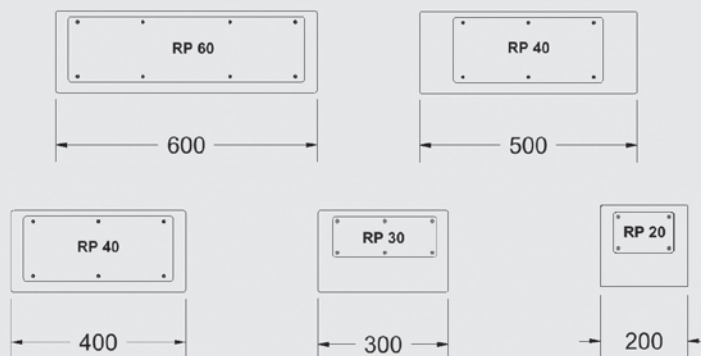
Unless otherwise specified, all dimensions are in mm.

GLAND PLATE COMBINATIONS

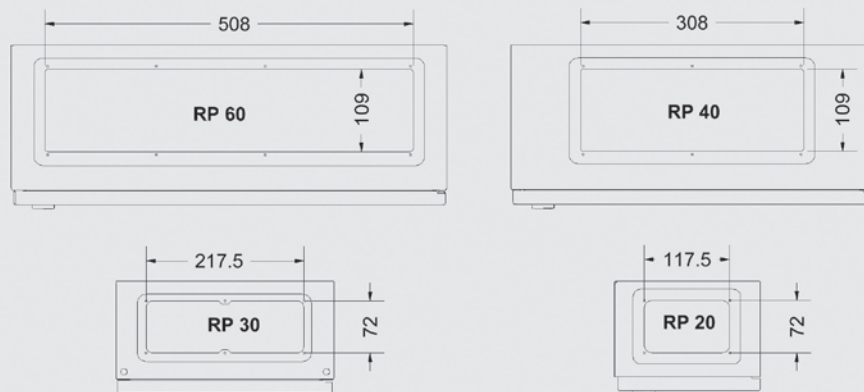
For 150mm Depth



For 200, 250 and 300 mm Depth



GLAND PLATE CUT OUTS



Unless otherwise specified, all dimensions are in mm.



Please check our website for updated catalogues and certificates.

www.eaeelektroteknik.com/en/support-download-center/



www.eaeelektroteknik.com

EAE Elektroteknik A.S.

İkitelli Organize Sanayi Bölgesi

Eski Turgut Özal Caddesi

Ziya Gökalp Mahallesi No: 20

34490 Basakşehir - İstanbul / TURKEY

Phone: +90 (212) 549 26 39 (pbx)

Fax : +90 (212) 549 37 91

E-mail: exportsales@eaegroup.com