



## **E-KABIN S SERIES**

FLOOR STANDING ELECTRICAL ENCLOSURES

# FLOOR STANDING ELECTRICAL ENCLOSURES

[www.eaeelektrotechnik.com](http://www.eaeelektrotechnik.com)

## CONTENTS

Introduction	1
Features	2
Internal Mounting Accessories	6
Special Mounting Accessories	8
Cover Plates	10
Order Codes	12
Order Codes and Dimensions	16
Dimensions - Loading Information	18
Dimensions	19
Framework Assembly - Packing	20



# INTRODUCTION



## E-Kabin S Series Modular, Indoor Floor Standing Electrical Enclosures

E-Kabin S Series electrical enclosures are designed to be used in indoor electrical installations. Their simple design provides functionality and economic solutions for various applications. All parts facing outside of the enclosure (main frame, door, plates) are made of pregalvanized sheet steel and painted with electrostatic powder paint. By this way, high degree of corrosion resistance is provided.

Application	: Indoor
Protection class	: IP55, IP41 (depending on door type)
Framework	: 2 mm galvanized steel sheet, painted
Paint	: Epoxy-polyester powder paint
Colour	: Standard RAL 7035
Environment class	: According to -EN 60721 - 3 - 3 - IE33
Standards	: IEC 61439-1 IEC 62208 IEC 60529 IEC 62262

# FEATURES

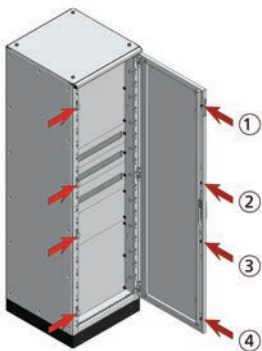
## Aesthetical outlook

Front bar, made of anodized aluminium, provides aesthetical outlook.



## Reliable locking system

Locking system enables the door to be fixed to the framework at four different points.



## Functional swing handle

The door opens when the swing handle is lifted and rotated upwards. Locking by key is determined by the user. It can be used without locking.



## Protection class IP55

Foam-in-place gasket applied to door does not lose its elasticity in time and provides protection against dust and water



# FEATURES

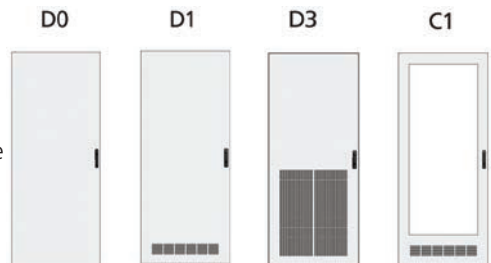
## Easy electrical assembly

Thanks to robust framework and internal mounting accessories door, back and side panel fixing is carried out after electrical assembly. Internal mounting accessories are designed to be used in all E-Kabin series.



## Wide range of Door Type Options

- Useful ventilation grill  
 "0"- none / "1"- bottom / "3"- bottom, large  
 For 1, 3 protection class is IP41
- Symmetrical design
- Door opening direction can be changed in place  
 Safety glass "C"
- Robust glass holders
- Customized door application



## Modular design

- Front and rear door possibility
- Changeable door opening direction
- Corner module



## Cover plate arrangement

In power distribution applications various cover plates accessories can be used to protect against direct contact



# FEATURES

## High resistance against corrosion

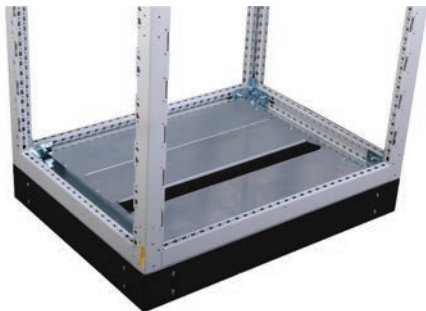
Framework components are made of 2 mm pregalvanized sheet steel and painted. Necessary precautions are taken to secure earthing continuity while connecting the pieces together and it is certified.



Framework, door and fixed plates are made of pregalvanised sheet steel and painted with electrostatic powder paint.

## Modular bottom plate arrangement

Bottom plate arrangement complying with high protection degree provides comfort with possibility of sliding pieces. Bottom plates can be equipped with different brushes which are supplied as accessories.





# FEATURES



## Door with ventilation openings

Door with ventilation openings can be chosen as standard for use in various applications. In case of using these doors, protection class is IP41.



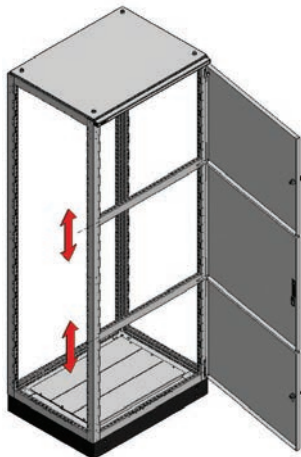
Ventilation Module Accessory



Laptop Table Accessory

## Separation options for power distribution applications

### Horizontal separation



## Enclosure Type Test Certificate

According to IEC 61439-1 10.2 IEC 62208 empty enclosures for low-voltage switchgear and controlgear assemblies.

Please check

[www.eaeelektrotechnik.com/en/support-download-center/](http://www.eaeelektrotechnik.com/en/support-download-center/)

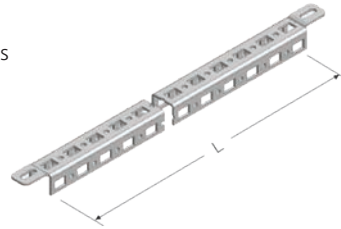
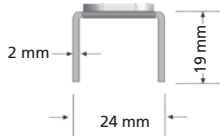


# INTERNAL MOUNTING ACCESSORIES

## MA MOUNTING RAIL



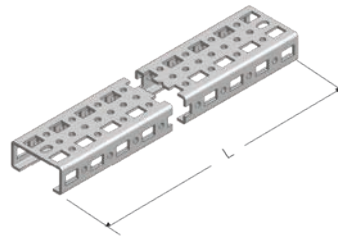
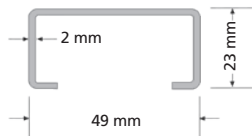
**Supply Contents**  
 - MA Mounting Rail  
 - M5x8mm self-trapping screw 2 pcs



## MB MOUNTING RAIL



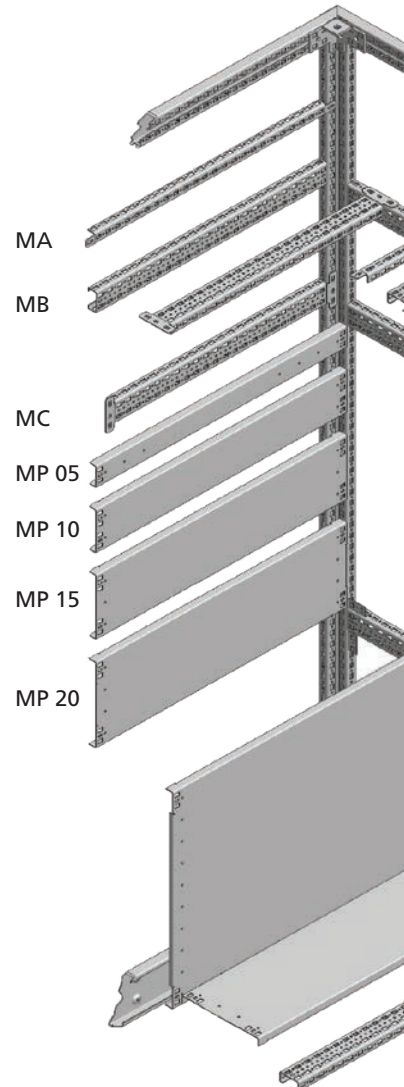
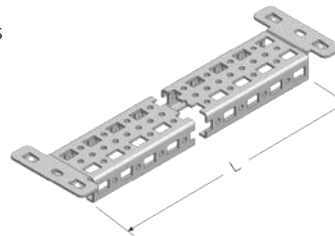
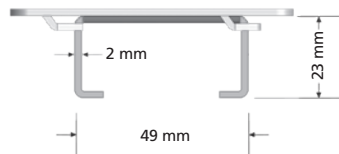
**Supply Contents**  
 - MB Mounting Rail  
 - MBT Fixing Set 1 set



## MC MOUNTING RAIL



**Supply Contents**  
 - MC Mounting Rail  
 - M5x8mm self-trapping screw 2 pcs

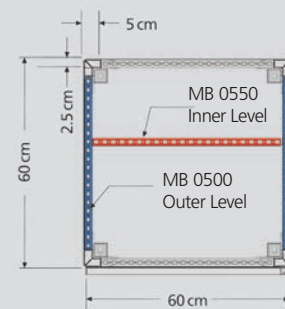
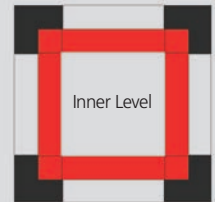


### Product Coding Information

Example: 75cm long MA type mounting rail

Product Code : EG MA 0750  
 Product Series : EG  
 Rail Type : MA, MB, MC  
 Length Coding : 0 7 5 0

Sample Rail Length  
 L = 350 mm : MB 0350  
 L = 1650 mm : MB 1650



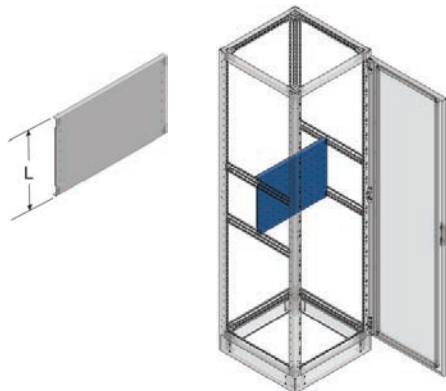
# INTERNAL MOUNTING ACCESSORIES

## MP MOUNTING PLATES



- Supply Contents**  
 - MP Mounting Plate  
 - MBT Fixing Set 2 pcs

For order information please check page 16

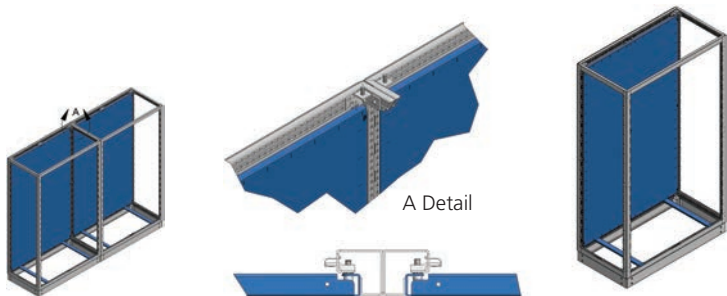


## MK FULL HEIGHT MOUNTING PLATES

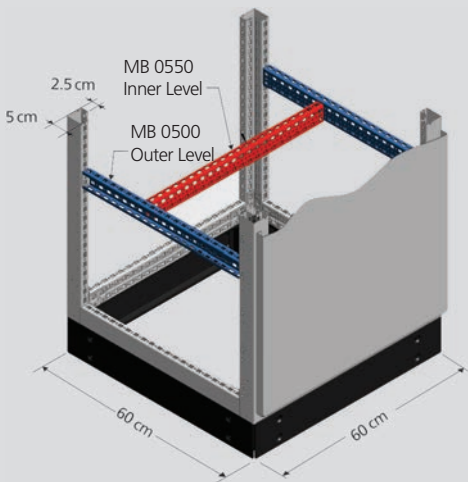


- Supply Contents**  
 - MK Full Height Mounting Plate  
 - MK Fixing Set 1 pcs

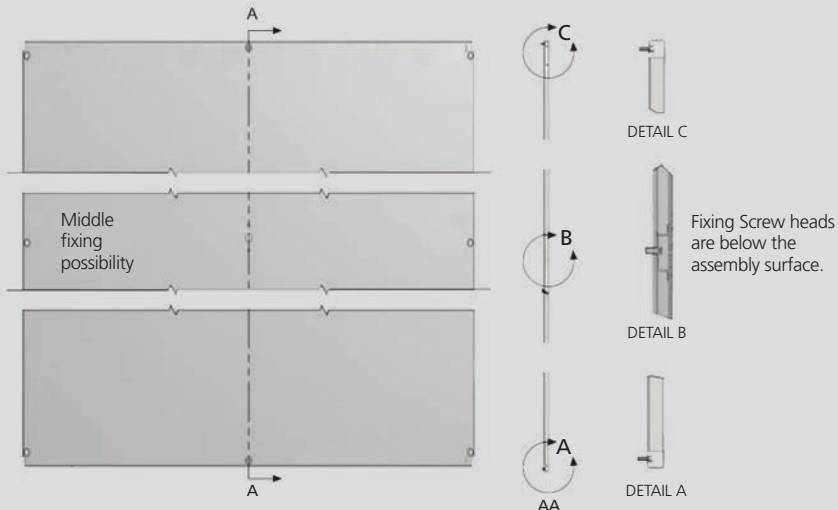
Full height mounting plates fixed to the back vertical profiles. When two enclosures combines together, continuous and flat surface is occurred.



For order codes and dimensions please check page 16



Mounting Plates for 80,100,120 cm width



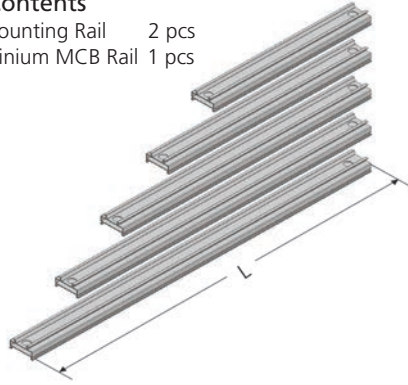
# SPECIAL MOUNTING ACCESSORIES

## RS SPECIAL MOUNTING RAIL



### Supply Contents

- EG RS Mounting Rail 2 pcs
- EG Aluminium MCB Rail 1 pcs

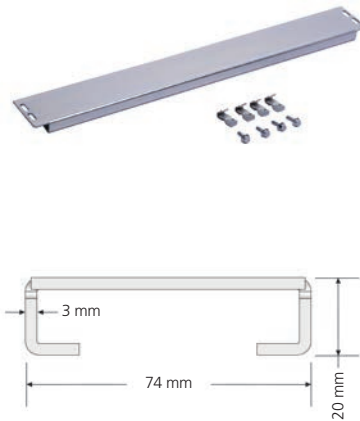


- EG RS 04 (246 mm)
- EG RS 05 (346 mm)
- EG RS 06 (446 mm)
- EG RS 07 (546 mm)
- EG RS 08 (646 mm)

Rated enclosure width codes  
-Inner level dimension-

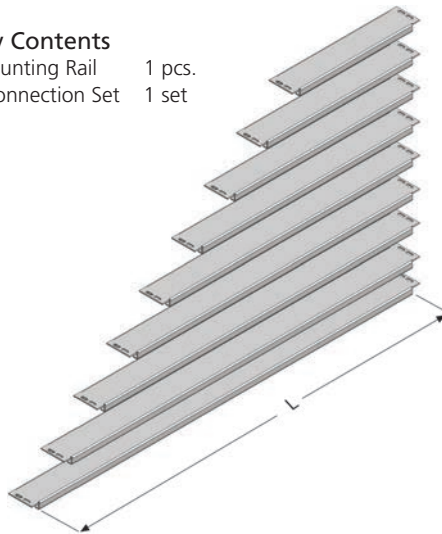


## SP SPECIAL MOUNTING RAIL



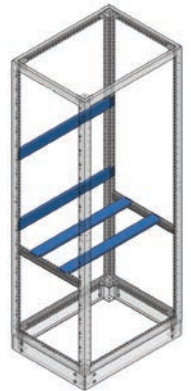
### Supply Contents

- SP Mounting Rail 1 pcs.
- SPT Connection Set 1 set

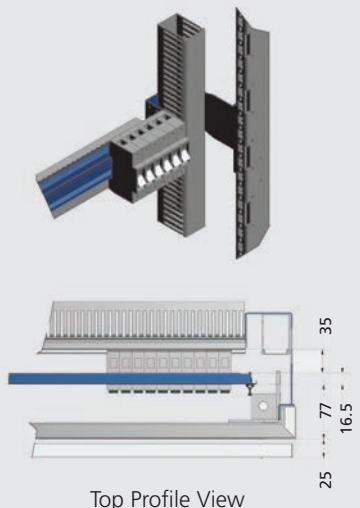


- EG SP 04 (346 mm)
- EG SP 05 (446 mm)
- EG SP 06 (546 mm)
- EG SP 07 (646 mm)
- EG SP 08 (746 mm)
- EG SP 09 (846 mm)
- EG SP 10 (946 mm)
- EG SP 11 (1046 mm)
- EG SP 12 (1146 mm)

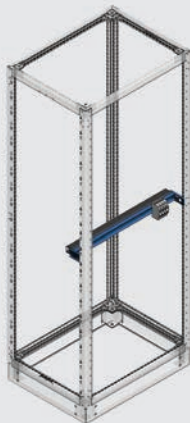
Rated enclosure width references  
-Inner level dimension-



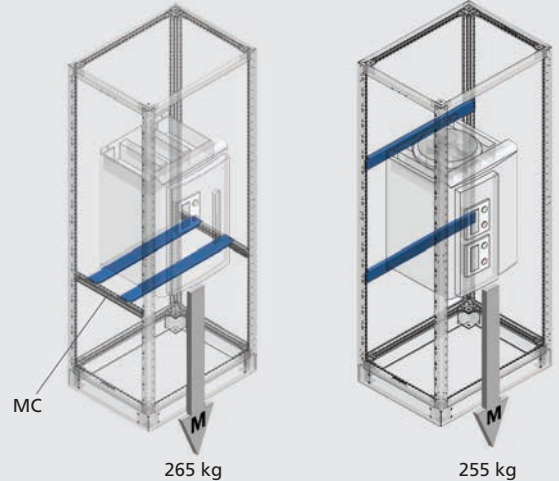
### RS Rail Assembly Example



### RS Rail Assembly Example



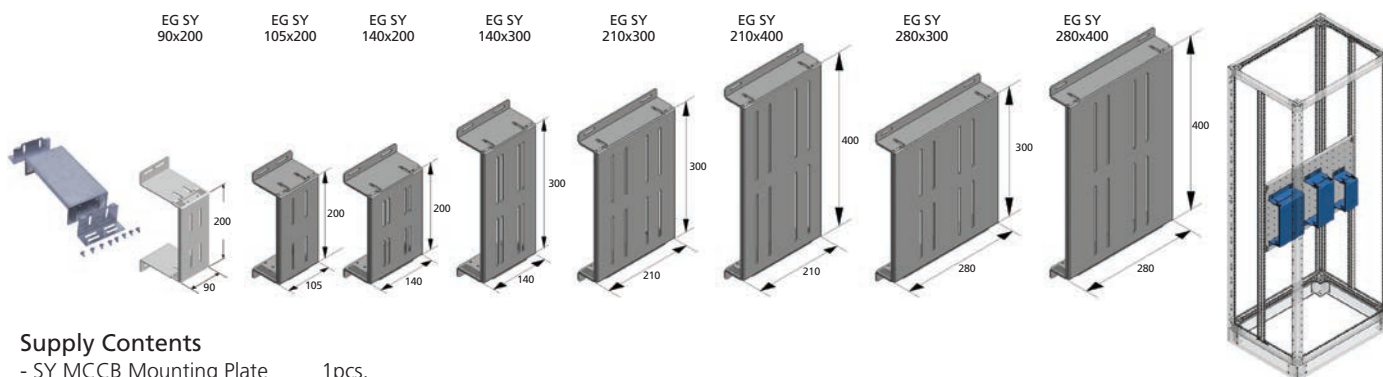
### SP Rail Assembly Examples



Given values are Static Test Values for 80cm width enclosure.

# SPECIAL MOUNTING ACCESSORIES

## SY SPECIAL MOUNTING ACCESSORIES



### Supply Contents

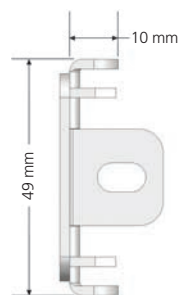
- SY MCCB Mounting Plate 1 pcs.
- SY MCCB Riser Mounting Set 1 set

## DST SPECIAL FIXING SET

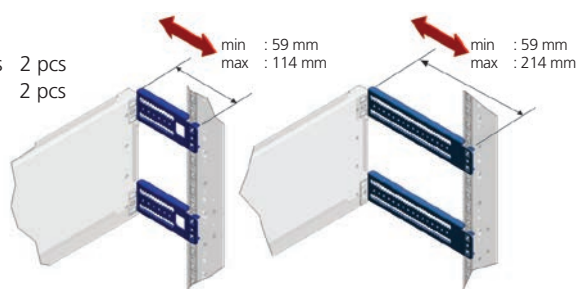


### Supply Contents

- DST Assembly Fixing Parts 2 pcs
- DST Connection Set 2 pcs

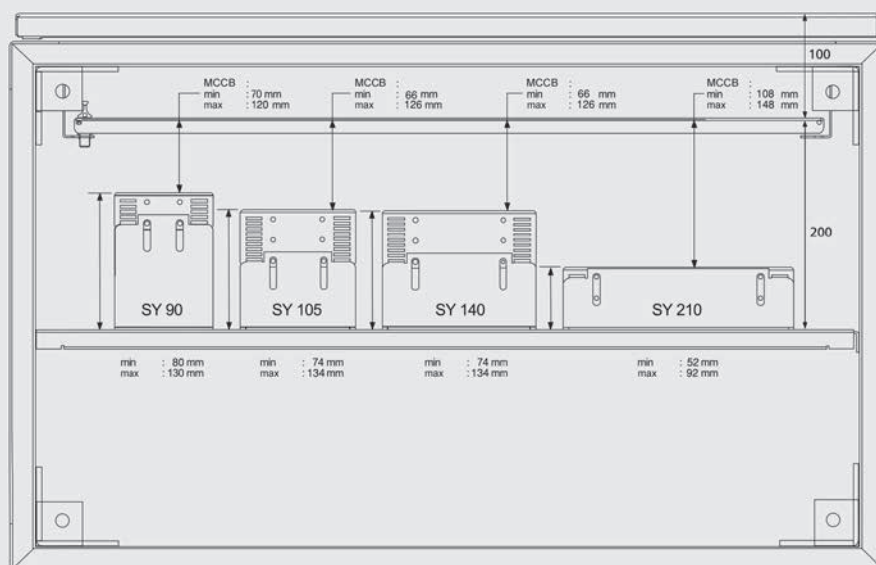


EG DST 100

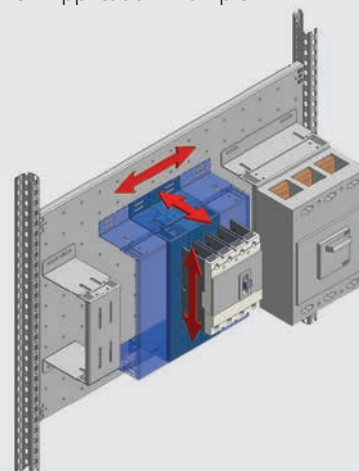


EG DST 100

EG DST 200



## ST Application Example



# COVER PLATES

## OM COVER PLATES (HINGED)

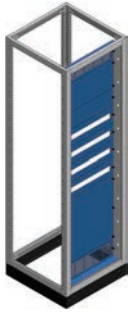
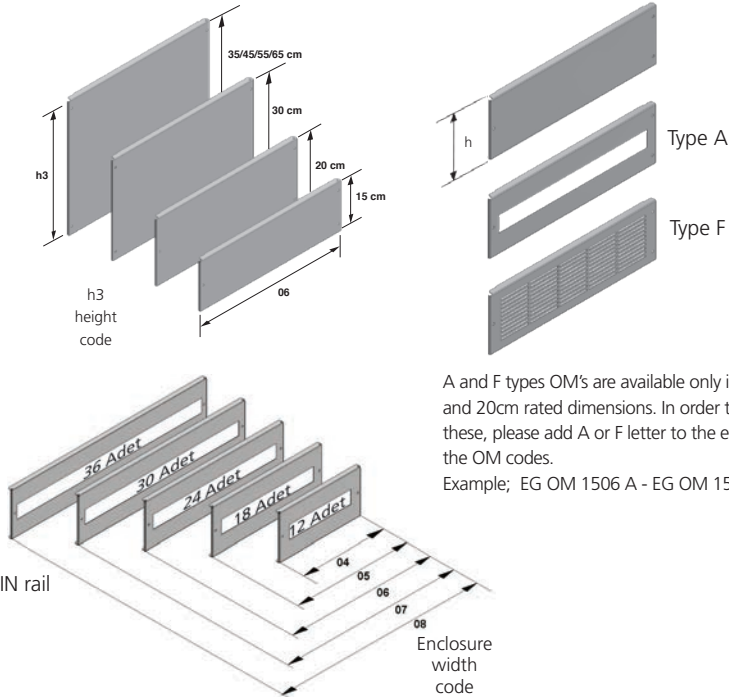


Plate cut-outs are suitable for DIN rail equipments.



A and F types OM's are available only in 15cm and 20cm rated dimensions. In order to order these, please add A or F letter to the end of the OM codes.  
Example; EG OM 1506 A - EG OM 1506 F

For order codes and dimensions please check page 17

## OB FULL HEIGHT COVER PLATE

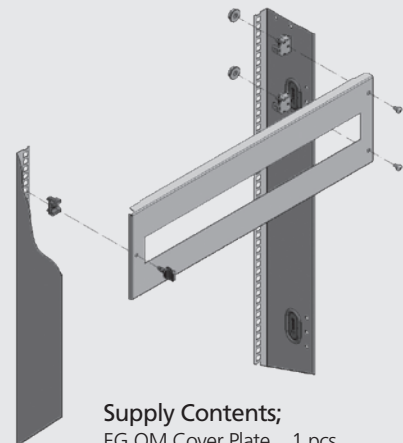
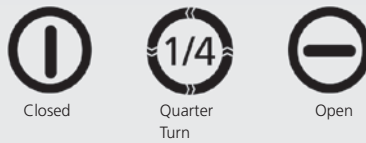
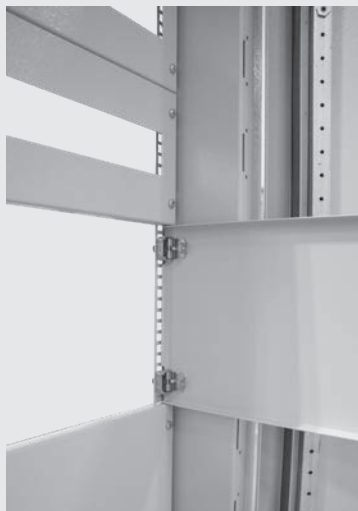


### Supply Contents

- OB Cover Plate
- OBT Connection Set



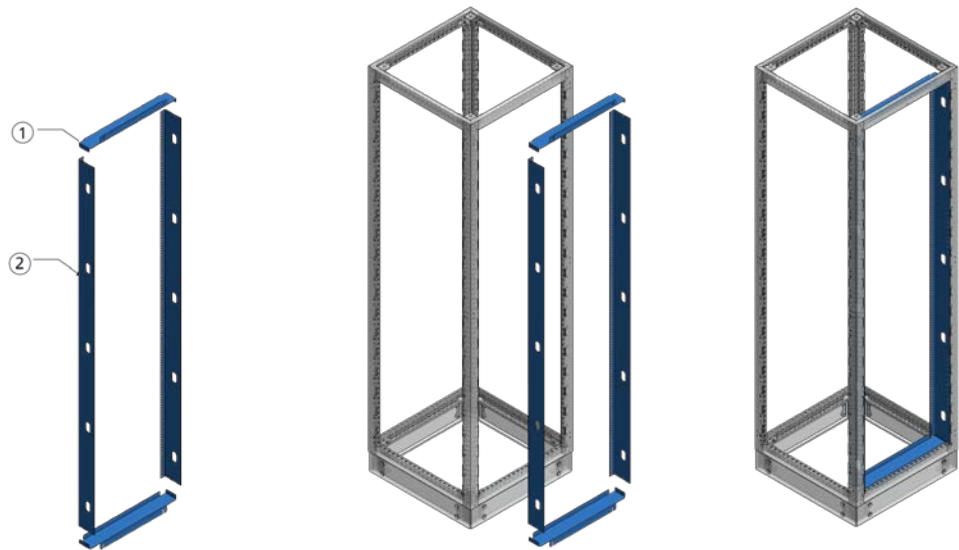
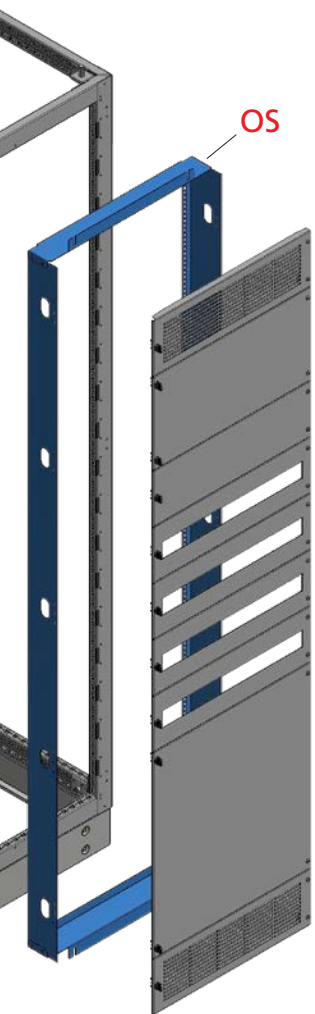
For order codes and dimensions please check page 17



**Supply Contents;**  
EG OM Cover Plate 1 pcs.  
- Connection Set-

# COVER PLATES

## OS FIXED COVER PLATE RAIL



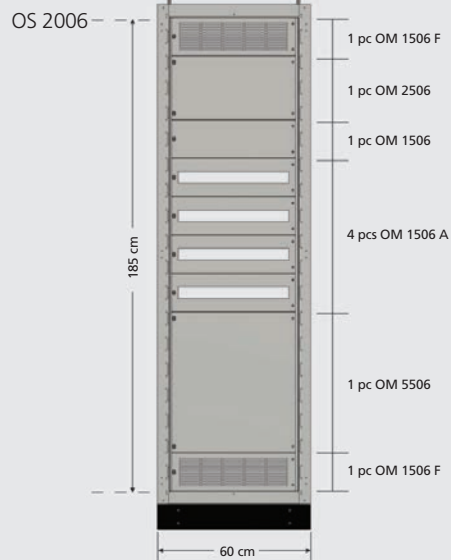
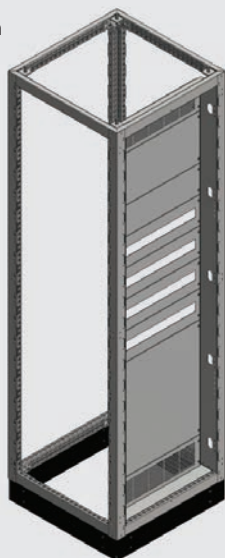
ENCLOSURE RATED HEIGHT	NET HEIGHT OF COVER PLATES WHEN FIXED COVER PLATE RAIL IS USED
180 cm	165 cm
200 cm	185 cm
220 cm	205 cm

### Supply Contents

- ①-OUS Rail 2pcs
- ②-OPS Rail 2 pcs
- Connection Accessories - 1 set

Distance between door and cover plate is 10cm, please check page 8 - Top Profile View

### Sample Selection



# ORDER CODES

## DP Vertical Profile Set

### Height

180 cm    200 cm    220 cm

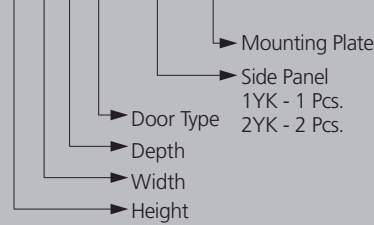
ES DP 18    ES DP 20    ES DP 22

### DP Set supply contents

- Vertical Profile - 4 pcs.
- Framework Corner Kit - 8 pcs.
- Hexagon Socket Cap Screw - 32 pcs.

## Entire Enclosure Order Example

ES 20 08 06 D0 + 2YK + MK



Side Panel  
 1YK - 1 Pcs.  
 2YK - 2 Pcs.

## MS Module Set

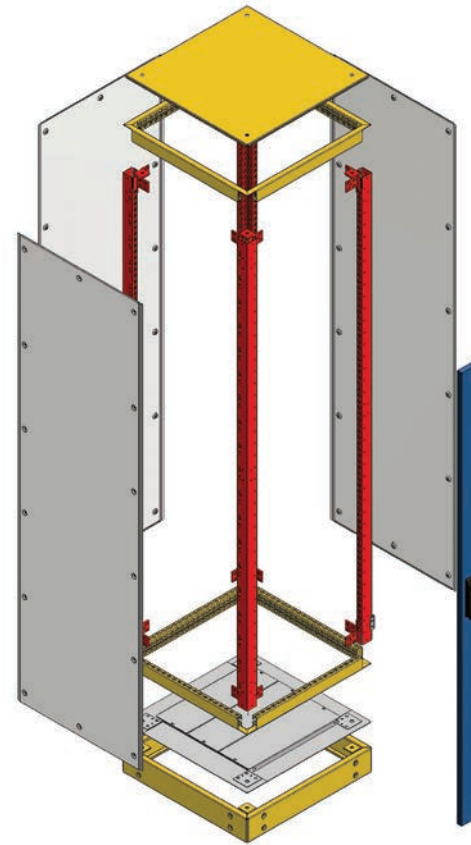
Width	Depth				
	40 cm	50 cm	60 cm	70 cm	80 cm
40 cm	ES MS 0404	ES MS 0405	ES MS 0406	ES MS 0407	ES MS 0408
50 cm	ES MS 0504	ES MS 0505	ES MS 0506	ES MS 0507	ES MS 0508
60 cm	ES MS 0604	ES MS 0605	ES MS 0606	ES MS 0607	ES MS 0608
70 cm	ES MS 0704	ES MS 0705	ES MS 0706	ES MS 0707	ES MS 0708
80 cm	ES MS 0804	ES MS 0805	ES MS 0806	ES MS 0807	ES MS 0808
100 cm	ES MS 1004	ES MS 1005	ES MS 1006	ES MS 1007	ES MS 1008
120 cm	ES MS 1204	ES MS 1205	ES MS 1206	ES MS 1207	ES MS 1208

## Module Sets For Enclosures with Overlapping Door

50+50 cm	ES MS 5504	ES MS 5505	ES MS 5506	ES MS 5507	ES MS 5508
60+60 cm	ES MS 6604	ES MS 6605	ES MS 6606	ES MS 6607	ES MS 6608

## MS Set Supply Contents

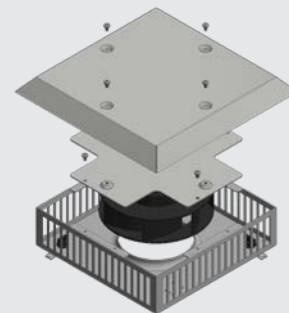
- Horizontal profile (for width) - 4 pcs.
- Horizontal profile (for depth) - 4 pcs.
- Roof Panel - 1 pcs.
- Roof Panel Connection Set - 1 pcs.
- Plinth Set - 1 pcs.
- Plinth Connection Set - 1 pcs.
- Bottom Plate - 1 pcs.
- MK Sliding Guide Set - 1 set (only for enclosures with overlapping doors module sets)



## UK Roof Panel

Width	Depth				
	40 cm	50 cm	60 cm	70 cm	80 cm
40 cm	ES UK 0404	ES UK 0405	ES UK 0406	ES UK 0407	ES UK 0408
50 cm	ES UK 0504	ES UK 0505	ES UK 0506	ES UK 0507	ES UK 0508
60 cm	ES UK 0604	ES UK 0605	ES UK 0606	ES UK 0607	ES UK 0608
70 cm	ES UK 0704	ES UK 0705	ES UK 0706	ES UK 0707	ES UK 0708
80 cm	ES UK 0804	ES UK 0805	ES UK 0806	ES UK 0807	ES UK 0808
100 cm	ES UK 1004	ES UK 1005	ES UK 1006	ES UK 1007	ES UK 1008
120 cm	ES UK 1204	ES UK 1205	ES UK 1206	ES UK 1207	ES UK 1208

## EG FM Fan Module



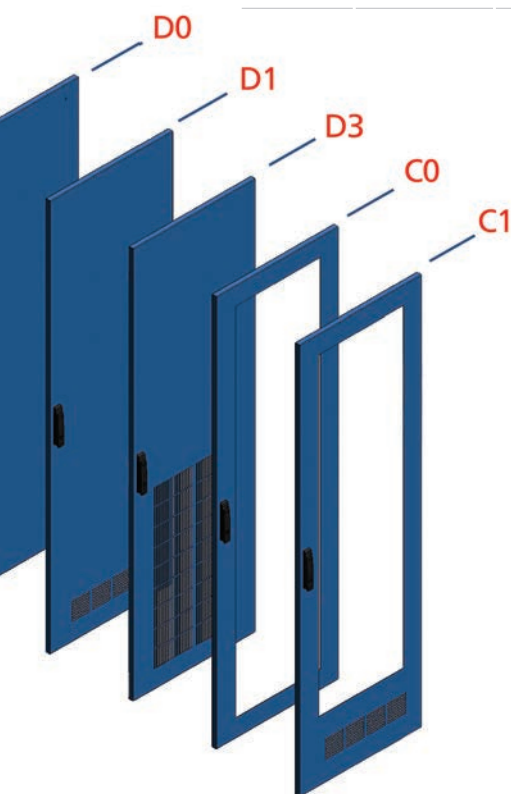
Note: For ventilation modules technical calculations, information and order codes please contact with your Customer Representative.

Note: It is not possible to use Fan Modules for 40cm width panels.



# ORDER CODES

OK Front Door - Type D0								
Height	Width							
	30 cm	40 cm	50 cm	60 cm	70 cm	80 cm	50 + 50 cm	60 + 60 cm
180 cm	ES OK 1803 D0	ES OK 1804 D0	ES OK 1805 D0	ES OK 1806 D0	ES OK 1807 D0	ES OK 1808 D0	ES OK 1855 D0	ES OK 1866 D0
200 cm	ES OK 2003 D0	ES OK 2004 D0	ES OK 2005 D0	ES OK 2006 D0	ES OK 2007 D0	ES OK 2008 D0	ES OK 2055 D0	ES OK 2066 D0
220 cm	ES OK 2203 D0	ES OK 2204 D0	ES OK 2205 D0	ES OK 2206 D0	ES OK 2207 D0	ES OK 2208 D0	ES OK 2255 D0	ES OK 2266 D0



Note: Order codes of other types of front doors can be created by changing last two digits "D0" by desired door type D1-D3-C0-C1.

Please contact with your Sales Representative for C0-C1 type doors.



MA Mounting Rails for In-Door Fixing		
Width	Lenght L	Order Code
40 cm	24,5 cm	EG MA 0250
50 cm	34,5 cm	EG MA 0350
60 cm	44,5 cm	EG MA 0450
70 cm	54,5 cm	EG MA 0550
80 cm	64,5 cm	EG MA 0650

SK Fixed Panel					
Height	Width				
	40 cm	50 cm	60 cm	70 cm	80 cm
180 cm	EG SK 1804	EG SK 1805	EG SK 1806	EG SK 1807	EG SK 1808
200 cm	EG SK 2004	EG SK 2005	EG SK 2006	EG SK 2007	EG SK 2008
220 cm	EG SK 2204	EG SK 2205	EG SK 2206	EG SK 2207	EG SK 2208

Note: The design of rear and side panels are same.

Height, width and depth dimensions used in the tables are rated values. For actual values please check page 18-19.

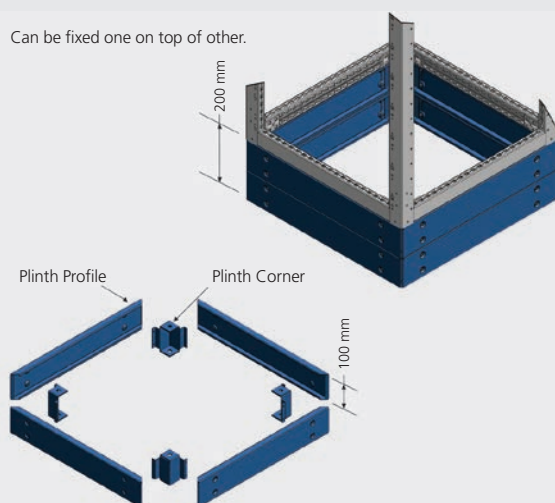
BZ Plinth Set					
Width	Depth				
	40 cm	50 cm	60 cm	70 cm	80 cm
40 cm	EG BZ 0404	EG BZ 0405	EG BZ 0406	EG BZ 0407	EG BZ 0408
50 cm	EG BZ 0504	EG BZ 0505	EG BZ 0506	EG BZ 0507	EG BZ 0508
60 cm	EG BZ 0604	EG BZ 0605	EG BZ 0606	EG BZ 0607	EG BZ 0608
70 cm	EG BZ 0704	EG BZ 0705	EG BZ 0706	EG BZ 0707	EG BZ 0708
80 cm	EG BZ 0804	EG BZ 0805	EG BZ 0806	EG BZ 0807	EG BZ 0808
100 cm	EG BZ 1004	EG BZ 1005	EG BZ 1006	EG BZ 1007	EG BZ 1008
120 cm	EG BZ 1204	EG BZ 1205	EG BZ 1206	EG BZ 1207	EG BZ 1208

### BZ Plinth Set Supply Contents

- Plinth Corner - 4 pcs.
- Plinth Profile - 4 pcs.
- Connection Bolts

Plinth parts are made of 2mm thick pregalvanized sheet steel and painted with RAL 9005 black colour.

Can be fixed one on top of other.



# ORDER CODES

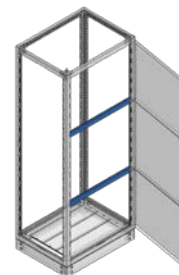
## YA Horizontal Divider Rail Order Codes

### Width

40 cm	50 cm	60 cm	70 cm	80 cm
ES YA 04	ES YA 05	ES YA 06	ES YA 07	ES YA 08

### Supply Contents

- ES YA Horizontal Divider Rail - 1 pc
- ES YAT Fixing Set and Hinge with Pin - 1 Set



## PK Partial Door Order Codes

### Height

### Width

	40 cm	50 cm	60 cm	70 cm	80 cm
20 cm	ES PK 0204	ES PK 0205	ES PK 0206	ES PK 0207	ES PK 0208
30 cm	ES PK 0304	ES PK 0305	ES PK 0306	ES PK 0307	ES PK 0308
40 cm	ES PK 0404	ES PK 0405	ES PK 0406	ES PK 0407	ES PK 0408
50 cm	ES PK 0504	ES PK 0505	ES PK 0506	ES PK 0507	ES PK 0508
60 cm	ES PK 0604	ES PK 0605	ES PK 0606	ES PK 0607	ES PK 0608
70 cm	ES PK 0704	ES PK 0705	ES PK 0706	ES PK 0707	ES PK 0708
80 cm	ES PK 0804	ES PK 0805	ES PK 0806	ES PK 0807	ES PK 0808
90 cm	ES PK 0904	ES PK 0905	ES PK 0906	ES PK 0907	ES PK 0908
100 cm	ES PK 1004	ES PK 1005	ES PK 1006	ES PK 1007	ES PK 1008
110 cm	ES PK 1104	ES PK 1105	ES PK 1106	ES PK 1107	ES PK 1108
120 cm	ES PK 1204	ES PK 1205	ES PK 1206	ES PK 1207	ES PK 1208

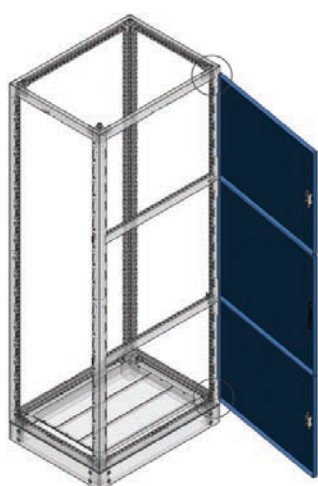
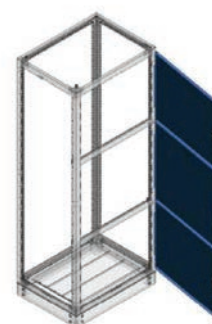
## Front Bar

### Order Codes

### Width

ES OET 04	400 cm
ES OET 05	500 cm
ES OET 06	600 cm
ES OET 07	700 cm
ES OET 08	800 cm
ES OET 10	1000 cm
ES OET 12	1200 cm

Partial Doors



### Attention !

- When using partial doors, Front Bars have to be ordered separately.
- Design of partial door is symmetric. Opening direction can be changed.
- The sum of partial doors heights of an enclosure has to be 10 cm less than enclosure height.

### Attention !

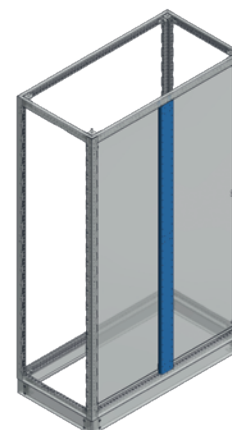
## DO Vertical Intermediary Profile Order Codes

### Height

180 cm	200 cm	220 cm
ES DO 18	ES DO 20	ES DO 22

### Supply Contents

- ES DO Vertical Intermediary Profile - 1 pc
- ES DO Fixing Set - 1 set

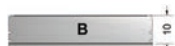
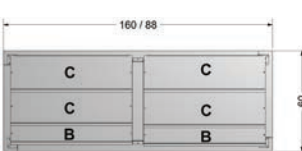
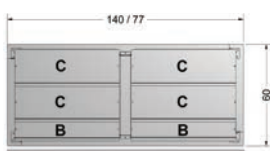
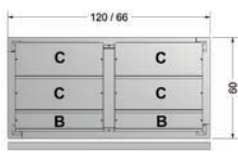
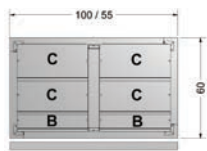
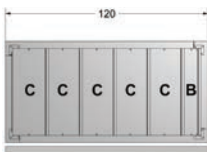
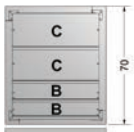
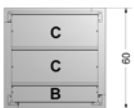


Note: It should be included in the order, to install back door for overlapping door applications.

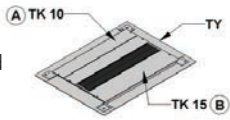
# ORDER CODES

Bottom Plate Sets						
Width	Depth	Order Code	Content			
		Bottom Plate	ES TK	Qty	ES TK	Qty
40 cm	40 cm	ES BO 0404	TK 0504	2 pcs.	TK 1004	2 pcs.
	50 cm	ES BO 0405	TK 1004	2 pcs.	TK 2004	1 pc.
	60 cm	ES BO 0406	TK 1004	1 pc.	TK 2004	2 pcs.
	70 cm	ES BO 0407	TK 1004	2 pcs.	TK 2004	2 pcs.
50 cm	80 cm	ES BO 0408	TK 1004	1 pc.	TK 2004	3 pcs.
	40 cm	ES BO 0504	TK 0505	2 pcs.	TK 1005	2 pcs.
	50 cm	ES BO 0505	TK 1005	2 pcs.	TK 2005	1 pc.
	60 cm	ES BO 0506	TK 1005	1 pc.	TK 2005	2 pcs.
60 cm	70 cm	ES BO 0507	TK 1005	2 pcs.	TK 2005	2 pcs.
	80 cm	ES BO 0508	TK 1005	1 pc.	TK 2005	3 pcs.
	40 cm	ES BO 0604	TK 0506	2 pcs.	TK 1006	2 pcs.
	50 cm	ES BO 0605	TK 1006	2 pcs.	TK 2006	1 pc.
70 cm	60 cm	ES BO 0606	TK 1006	1 pc.	TK 2006	2 pcs.
	70 cm	ES BO 0607	TK 1006	2 pcs.	TK 2006	2 pcs.
	80 cm	ES BO 0608	TK 1006	1 pc.	TK 2006	3 pcs.
	40 cm	ES BO 0704	TK 0507	2 pcs.	TK 1007	2 pcs.
80 cm	50 cm	ES BO 0705	TK 1007	2 pcs.	TK 2007	1 pc.
	60 cm	ES BO 0706	TK 1007	1 pc.	TK 2007	2 pcs.
	70 cm	ES BO 0707	TK 1007	2 pcs.	TK 2007	2 pcs.
	80 cm	ES BO 0708	TK 1007	1 pc.	TK 2007	3 pcs.
100 cm	40 cm	ES BO 0804	TK 0508	2 pcs.	TK 1008	2 pcs.
	50 cm	ES BO 0805	TK 1008	2 pcs.	TK 2008	1 pc.
	60 cm	ES BO 0806	TK 1008	1 pc.	TK 2008	2 pcs.
	70 cm	ES BO 0807	TK 1008	2 pcs.	TK 2008	2 pcs.
120 cm	80 cm	ES BO 0808	TK 1008	1 pc.	TK 2008	3 pcs.
	40 cm	ES BO 1004	TK 0510	2 pcs.	TK 1010	2 pcs.
	50 cm	ES BO 1005	TK 1010	2 pcs.	TK 2010	1 pc.
	60 cm	ES BO 1006	TK 1010	1 pc.	TK 2010	2 pcs.
120 cm	70 cm	ES BO 1007	TK 1010	2 pcs.	TK 2010	2 pcs.
	80 cm	ES BO 1008	TK 1010	1 pc.	TK 2010	3 pcs.
	40 cm	ES BO 1204	TK 0512	1 pc.	TK 2004	5 pcs.
	50 cm	ES BO 1205	TK 1012	1 pc.	TK 2005	5 pcs.
120 cm	60 cm	ES BO 1206	TK 1012	1 pc.	TK 2006	5 pcs.
	70 cm	ES BO 1207	TK 1012	1 pc.	TK 2007	5 pcs.
	80 cm	ES BO 1208	TK 1012	1 pc.	TK 2008	5 pcs.

Bottom Plate For Enclosures with Overlapping Door						
55 cm	40 cm	ES BO 5504	TK 0505	4 pcs.	TK 1005	4 pcs.
	50 cm	ES BO 5505	TK 1005	4 pcs.	TK 2005	2 pcs.
	60 cm	ES BO 5506	TK 1005	2 pcs.	TK 2005	4 pcs.
	70 cm	ES BO 5507	TK 1005	4 pcs.	TK 2005	4 pcs.
66 cm	80 cm	ES BO 5508	TK 1005	2 pcs.	TK 2005	6 pcs.
	40 cm	ES BO 6604	TK 0506	4 pcs.	TK 1006	4 pcs.
	50 cm	ES BO 6605	TK 1006	4 pcs.	TK 2006	2 pcs.
	60 cm	ES BO 6606	TK 1006	2 pcs.	TK 2006	4 pcs.
77 cm	70 cm	ES BO 6607	TK 1006	4 pcs.	TK 2006	4 pcs.
	80 cm	ES BO 6608	TK 1006	2 pcs.	TK 2006	6 pcs.
	40 cm	ES BO 7704	TK 0507	4 pcs.	TK 1007	4 pcs.
	50 cm	ES BO 7705	TK 1007	4 pcs.	TK 2007	2 pcs.
88 cm	60 cm	ES BO 7706	TK 1007	2 pcs.	TK 2007	4 pcs.
	70 cm	ES BO 7707	TK 1007	4 pcs.	TK 2007	4 pcs.
	80 cm	ES BO 7708	TK 1007	2 pcs.	TK 2007	6 pcs.
	40 cm	ES BO 8804	TK 0508	4 pcs.	TK 1008	4 pcs.
88 cm	50 cm	ES BO 8805	TK 1008	4 pcs.	TK 2008	2 pcs.
	60 cm	ES BO 8806	TK 1008	2 pcs.	TK 2008	4 pcs.
	70 cm	ES BO 8807	TK 1008	4 pcs.	TK 2008	4 pcs.
	80 cm	ES BO 8808	TK 1008	2 pcs.	TK 2008	6 pcs.



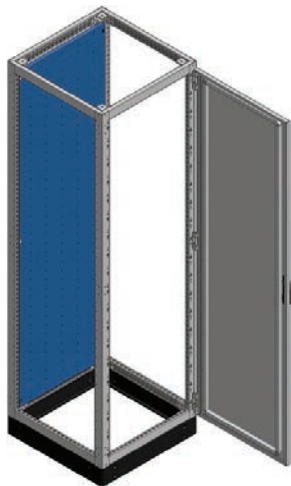
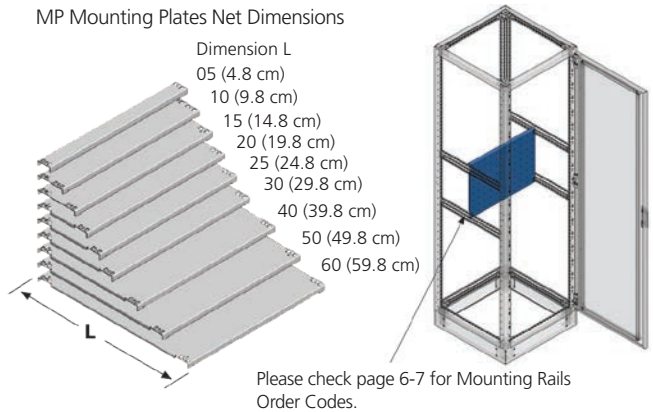
Brushes are supplied in 2 m length, can be used by cutting in requested dimensions.



All dimensions are in cm and given values are rated value.

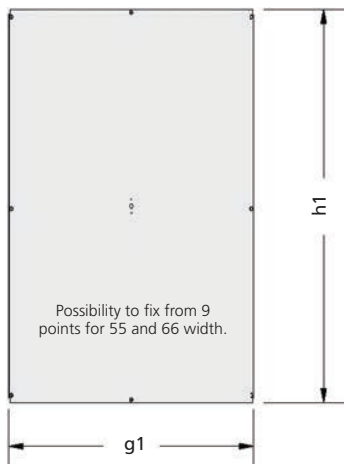
# ORDER CODES AND DIMENSIONS

MP Mounting Plates		Order Codes			
L Rated Dimension	Enclosure Rated Width				
	04	05	06	07	08
5 cm	EG MP 0504	EG MP 0505	EG MP 0506	EG MP 0507	EG MP 0508
10 cm	EG MP 1004	EG MP 1005	EG MP 1006	EG MP 1007	EG MP 1008
15 cm	EG MP 1504	EG MP 1505	EG MP 1506	EG MP 1507	EG MP 1508
20 cm	EG MP 2004	EG MP 2005	EG MP 2006	EG MP 2007	EG MP 2008
25 cm	EG MP 2504	EG MP 2505	EG MP 2506	EG MP 2507	EG MP 2508
30 cm	EG MP 3004	EG MP 3005	EG MP 3006	EG MP 3007	EG MP 3008
40 cm	EG MP 4004	EG MP 4005	EG MP 4006	EG MP 4007	EG MP 4008
50 cm	EG MP 5004	EG MP 5005	EG MP 5006	EG MP 5007	EG MP 5008
60 cm	EG MP 6004	EG MP 6005	EG MP 6006	EG MP 6007	EG MP 6008



MK Full Height Mounting Plates							Order Codes	
Rated Height	Enclosure Rated Width							
	04	05	06	07	08	10	12	
180	EG MK 1804	EG MK 1805	EG MK 1806	EG MK 1807	EG MK 1808	EG MK 1855	EG MK 1866	
200	EG MK 2004	EG MK 2005	EG MK 2006	EG MK 2007	EG MK 2008	EG MK 2055	EG MK 2066	
220	EG MK 2204	EG MK 2205	EG MK 2206	EG MK 2207	EG MK 2208	EG MK 2255	EG MK 2266	

Full height mounting plates can be fixed on rear vertical profiles. If mounting dept should be changed, then Sliding Holder Accessories must be used. Sliding Holder Accessories must be ordered separately



Height	Net dimension h1	Width	Net dimension g1
18	164,5 cm	04	34,6 cm
20	184,5 cm	05	44,6 cm
22	204,5 cm	06	54,6 cm
		07	64,6 cm
		08	74,6 cm
		10	94,6 cm
		12	114,6 cm

# ORDER CODES

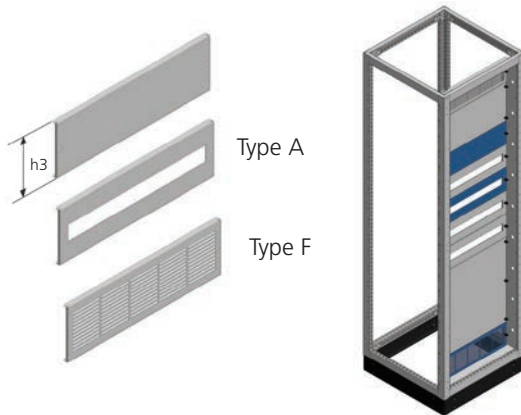
OS Fixed Cover Plate Rail Set					Order Codes
Rated Height	Enclosure rated width				
	04	05	06	07	08
18	EG OS 1804	EG OS 1805	EG OS 1806	EG OS 1807	EG OS 1808
20	EG OS 2004	EG OS 2005	EG OS 2006	EG OS 2007	EG OS 2008
22	EG OS 2204	EG OS 2205	EG OS 2206	EG OS 2207	EG OS 2208



OB Full Height Cover Plates					Order Codes
Rated height	Enclosure rated width				
	04	05	06	07	08
18	EG OB 1804	EG OB 1805	EG OB 1806	EG OB 1807	EG OB 1808
20	EG OB 2004	EG OB 2005	EG OB 2006	EG OB 2007	EG OB 2008
22	EG OB 2204	EG OB 2205	EG OB 2206	EG OB 2207	EG OB 2208

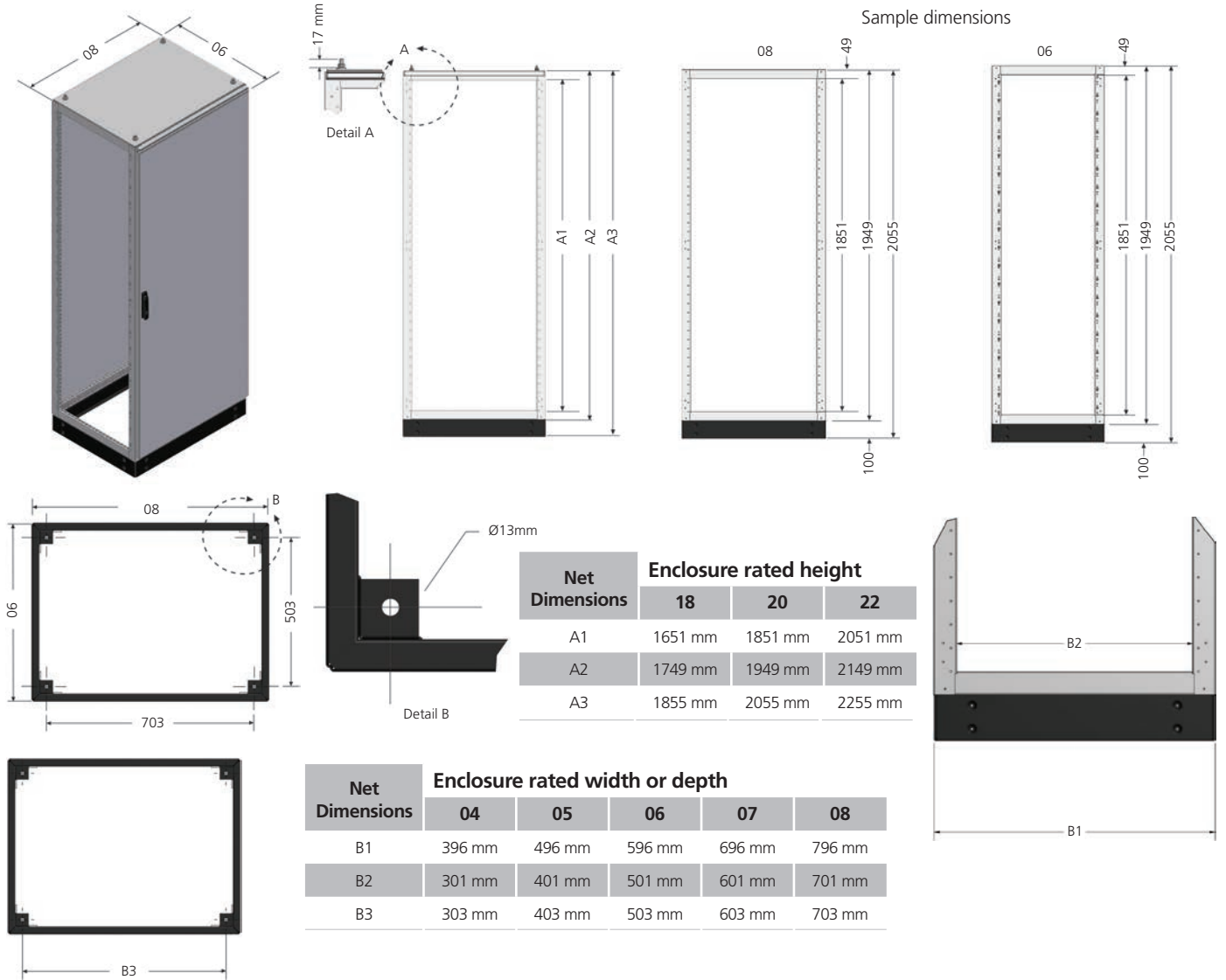


OM Cover Plates (Hinged)					Order Codes
Rated Dimension h3	Enclosure rated width				
	04	05	06	07	08
10	EG OM 1004	EG OM 1005	EG OM 1006	EG OM 1007	EG OM 1008
15	EG OM 1504	EG OM 1505	EG OM 1506	EG OM 1507	EG OM 1508
20	EG OM 2004	EG OM 2005	EG OM 2006	EG OM 2007	EG OM 2008
25	EG OM 2504	EG OM 2505	EG OM 2506	EG OM 2507	EG OM 2508
30	EG OM 3004	EG OM 3005	EG OM 3006	EG OM 3007	EG OM 3008
35	EG OM 3504	EG OM 3505	EG OM 3506	EG OM 3507	EG OM 3508
45	EG OM 4504	EG OM 4505	EG OM 4506	EG OM 4507	EG OM 4508
55	EG OM 5504	EG OM 5505	EG OM 5506	EG OM 5507	EG OM 5508
65	EG OM 6504	EG OM 6505	EG OM 6506	EG OM 6507	EG OM 6508

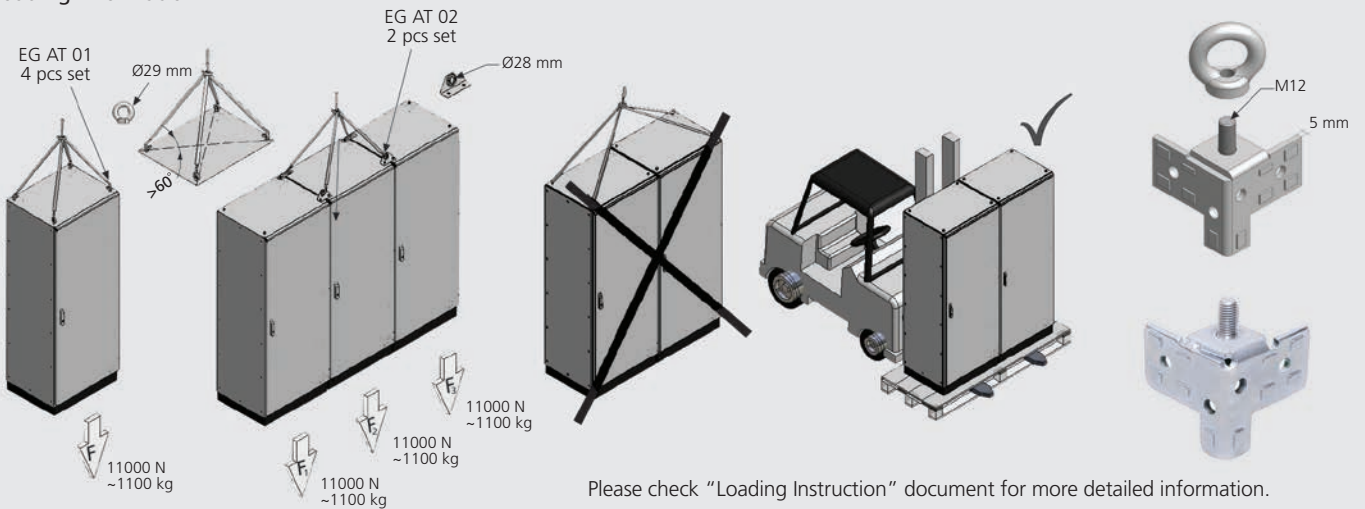


A and F types OM's are available only in 15cm and 20cm rated dimensions. In order to order these, please add A or F letter to the end of the OM codes. Example; EG OM 1506 A - EG OM 1506 F

# DIMENSIONS - LOADING INFORMATION



## Loading Information



# DIMENSIONS



## D0 type front door usage area height dimensions (A4)

Dimension/A4	ES OK 18	ES OK 20	ES OK 22
Net Dimensions	1605 mm	1805 mm	2005 mm

## D0-1-3 type front door usage area width dimensions (B4)

Dimension/B4	03	04	05	06	07	08
Net Dimensions	140 mm	240 mm	340 mm	440 mm	540 mm	640 mm

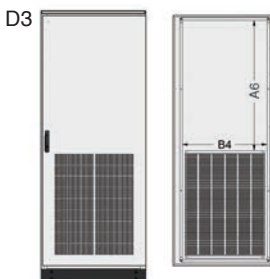
Sample: ES OK 2008 D0



## D1 type front door usage area height dimensions (A5)

Dimension/A5	ES OK 18	ES OK 20	ES OK 22
Net Dimensions	1430 mm	1630 mm	1830 mm

Sample: ES OK 2008 D1



## D3 type front door usage area height dimensions (A7)

Dimension/A7	ES OK 18	ES OK 20	ES OK 22
Net Dimensions	865 mm	980 mm	1095 mm

Sample: ES OK 2008 D3



Ventilation Section Net Area		
Height	Width	OK D1
18/20/22	04	0,0095 m <sup>2</sup>
18/20/22	05	0,0141 m <sup>2</sup>
18/20/22	06	0,0192 m <sup>2</sup>
18/20/22	07	0,0239 m <sup>2</sup>
18/20/22	08	0,0287 m <sup>2</sup>

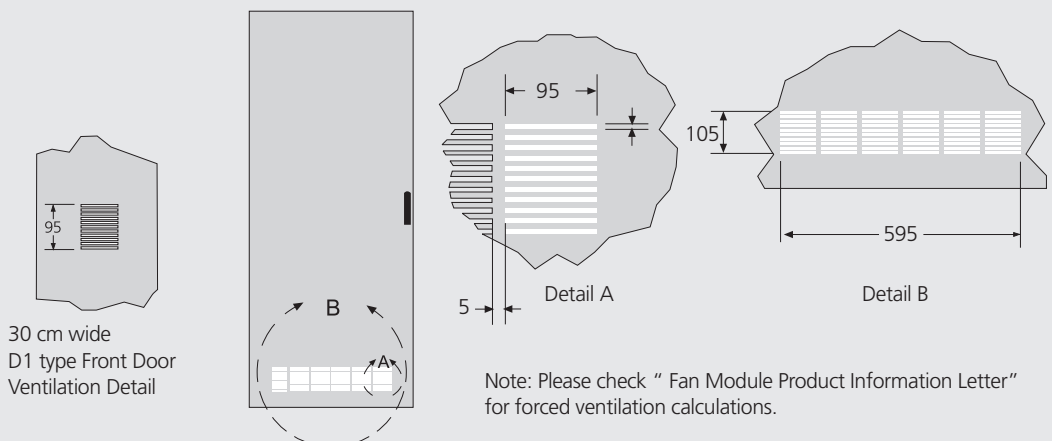
  

Height	Width	OK D3
18	04	0,061 m <sup>2</sup>
18	05	0,092 m <sup>2</sup>
18	06	0,121 m <sup>2</sup>
18	07	0,153 m <sup>2</sup>
18	08	0,189 m <sup>2</sup>
20	04	0,068 m <sup>2</sup>
20	05	0,104 m <sup>2</sup>
20	06	0,136 m <sup>2</sup>
20	07	0,172 m <sup>2</sup>
20	08	0,208 m <sup>2</sup>
22	04	0,076 m <sup>2</sup>
22	05	0,116 m <sup>2</sup>
22	06	0,152 m <sup>2</sup>
22	07	0,192 m <sup>2</sup>
22	08	0,232 m <sup>2</sup>

### Sample Front Door

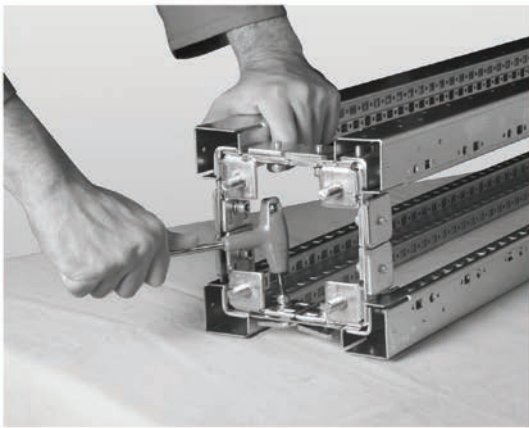
ES OK 2008 D1

0,0574 m<sup>2</sup>

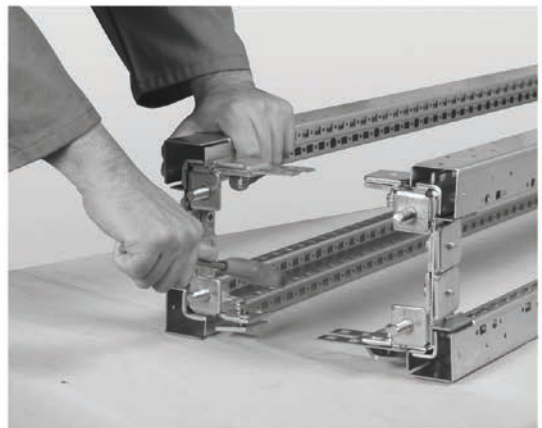


# FRAMEWORK ASSEMBLY - PACKING

## Framework Assembly



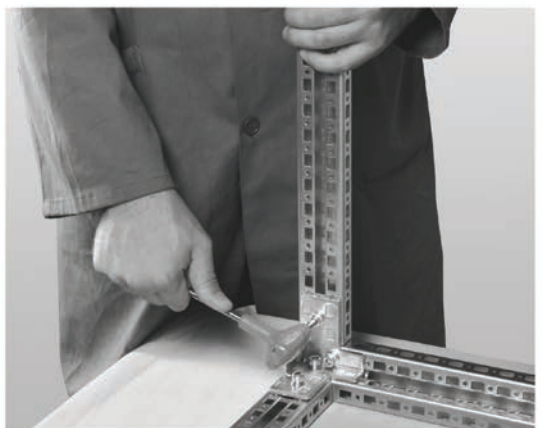
①



②



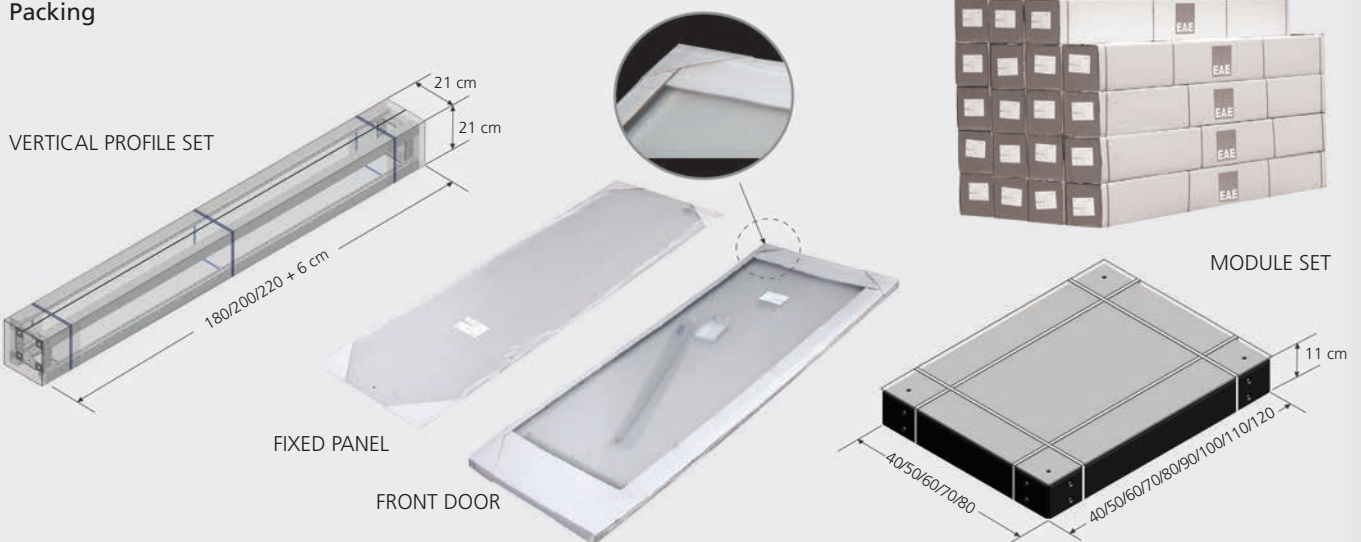
③



④

One enclosure framework including plinth and roof panel can be assembled by two worker in 15 minutes.

## Packing





# NOTES

A series of horizontal dotted lines for writing notes.







Please check our website for updated catalogues and certificates.

[www.eaeelektroteknik.com/en/support-download-center/](http://www.eaeelektroteknik.com/en/support-download-center/)



[www.eaeelektroteknik.com](http://www.eaeelektroteknik.com)

**EAE Elektroteknik A.S.**

İkitelli Organize Sanayi Bölgesi

Eski Turgut Özal Caddesi

Ziya Gökalp Mahallesi No: 20

34490 Basakşehir - İstanbul / TURKEY

Phone: +90 (212) 549 26 39 (pbx)

Fax : +90 (212) 549 37 91

E-mail: [exportsales@eae.com.tr](mailto:exportsales@eae.com.tr)