



E-KABİN M SERIES

WALL-MOUNTED MONOBLOCK ENCLOSURES

MONOBLOCK ENCLOSURES

www.eaeelektrotechnik.com

CONTENTS

Overview	1
Easy Workshop Assembly	2
Order Information	4
Accessories	5
Dimensions	8



E-Kabin M Series Monoblock Enclosures

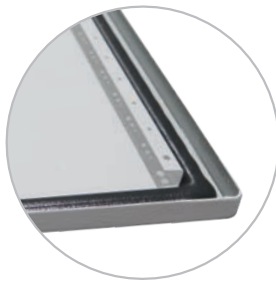
E-Kabin M Series Monoblock Enclosures designed for indoor electrical applications.

Application	: Indoor
Protection class	: IP 66
Type of mounting	: Wall-mounted
Paint	: Epoxy-polyester powder paint
Colour	: Standard RAL 7035
Environment class	: Acc. to EN 60721-3-3 IE32
Standards	: IEC 61439-1, IEC 62208 IEC 60529, IEC 62262

EASY WORKSHOP ASSEMBLY

Support Profiles

Providing fixing surface for cables and other accessories
Support Profiles also increase the strenght of the door



Polyurethane Gasket

Polyurethane Gasket behind the door does not loose its flexibility and adhesiveness with the effects of heat and time. It also provides high protection against dust and water.



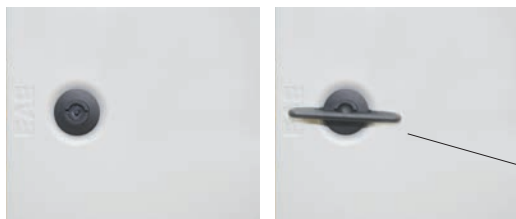
Glazed Door Applicable

Optionally, tempered glazed door can be selected.



Handful Lock System

The keys are available to stay on lock system.





Standard Door Opening 125°

The door can be opened 125° wide with the standard hinge set. Thus full access is provided during installation.



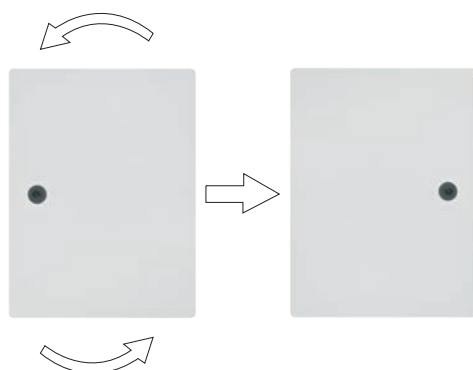
180° Hinge Accessory -optional-

The door can be opened 180° with the optional hinge set.



Bidirectional door opening

Door opening direction can be changed if it is needed.



Easy Mounting Bracket

Wall mounting can be easily done with the bracket set.



ORDER INFORMATION

HEIGHT	WIDTH	DEPTH	ORDER CODE	LOCK	HINGE
400	300	200	EM 40 30 20 D	1	2
500	400	200	EM 50 40 20 D	1	2
600	400	200	EM 60 40 20 D & C *	1	2
	600	300	EM 60 60 30 D	1	2
700	500	200	EM 70 50 20 D & C *	2	3
	500	300	EM 70 50 30 D & C *	2	3
800	600	200	EM 80 60 20 D	2	3
	600	300	EM 80 60 30 D	2	3
	800	300	EM 80 80 30 D	2	3
900	600	300	EM 90 60 30 D	2	3
1000	600	300	EM 100 60 30 D	2	3
	700	300	EM 100 70 30 D	2	3
	800	300	EM 100 80 30 D	2	3
	800	400	EM 100 80 40 D	2	3
1200	600	300	EM 120 60 30 D	2	3
	800	300	EM 120 80 30 D	2	3
	800	400	EM 120 80 40 D	2	3

* Plain and glazed doors are available.

Note: D - Plain Door C - Glazed Door

OVERLAPPING DOORS

HEIGHT	WIDTH	DEPTH	ORDER CODE
1000	1000	300	EM 100 100 30
1200	1000	300	EM 120 100 30
1200	1000	400	EM 120 100 40
1200	1200	300	EM 120 120 30

Note: Standard supply content: Mounting plate, bracket set, gland plate and earthing cable.



1 Lock and 2 Hinges



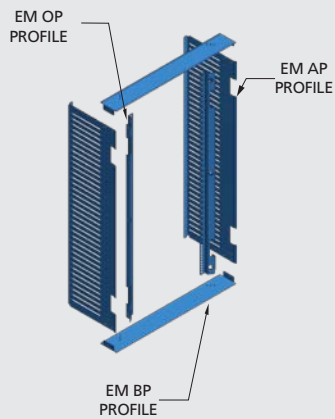
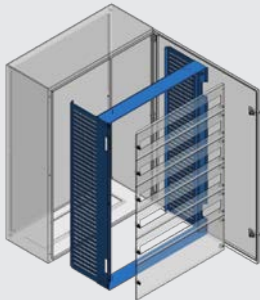
2 Locks and 3 Hinges



Note: Ingress protection is IP54 rating for enclosures with overlapping door.

ACCESSORIES

EM DS DEPTH ADJUSTMENT SYSTEM

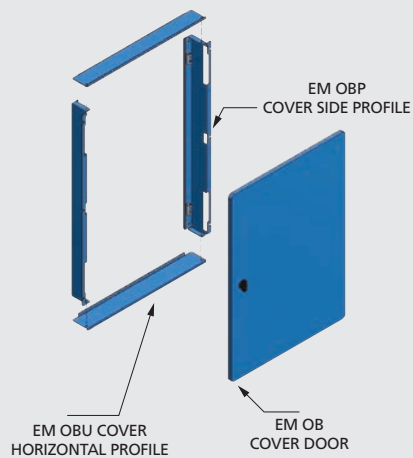
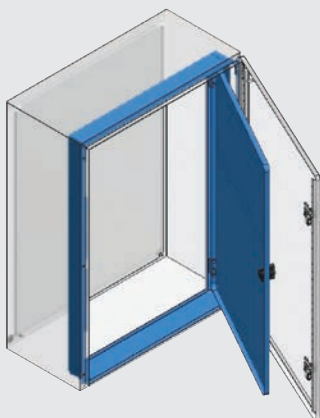


ORDER CODE	HEIGHT	WIDTH	DEPTH
EM DS 40 30 20	400	300	200
EM DS 50 40 20	500	400	200
EM DS 60 40 20	600	400	200
EM DS 60 60 30	600	600	300
EM DS 70 50 20	700	500	200
EM DS 70 50 30	700	500	300
EM DS 80 60 20	800	600	200
EM DS 80 60 30	800	600	300
EM DS 80 80 30	800	800	300
EM DS 100 60 30	1000	600	300
EM DS 120 60 30	1200	600	300

Supply Contents;

- EM AP Profile 2 pcs.
- EM BP Profile 2 pcs.
- EM OP Profile 1 pcs.
- Connection set- 1 set

EM OB FULL HEIGHT COVER PLATE



Supply Contents;

- EM OBP Profile 2 pcs.
- EM OBU Profile 2 pcs.
- EM OB Cover Unit 1 pcs.
- Connection set- 1 set

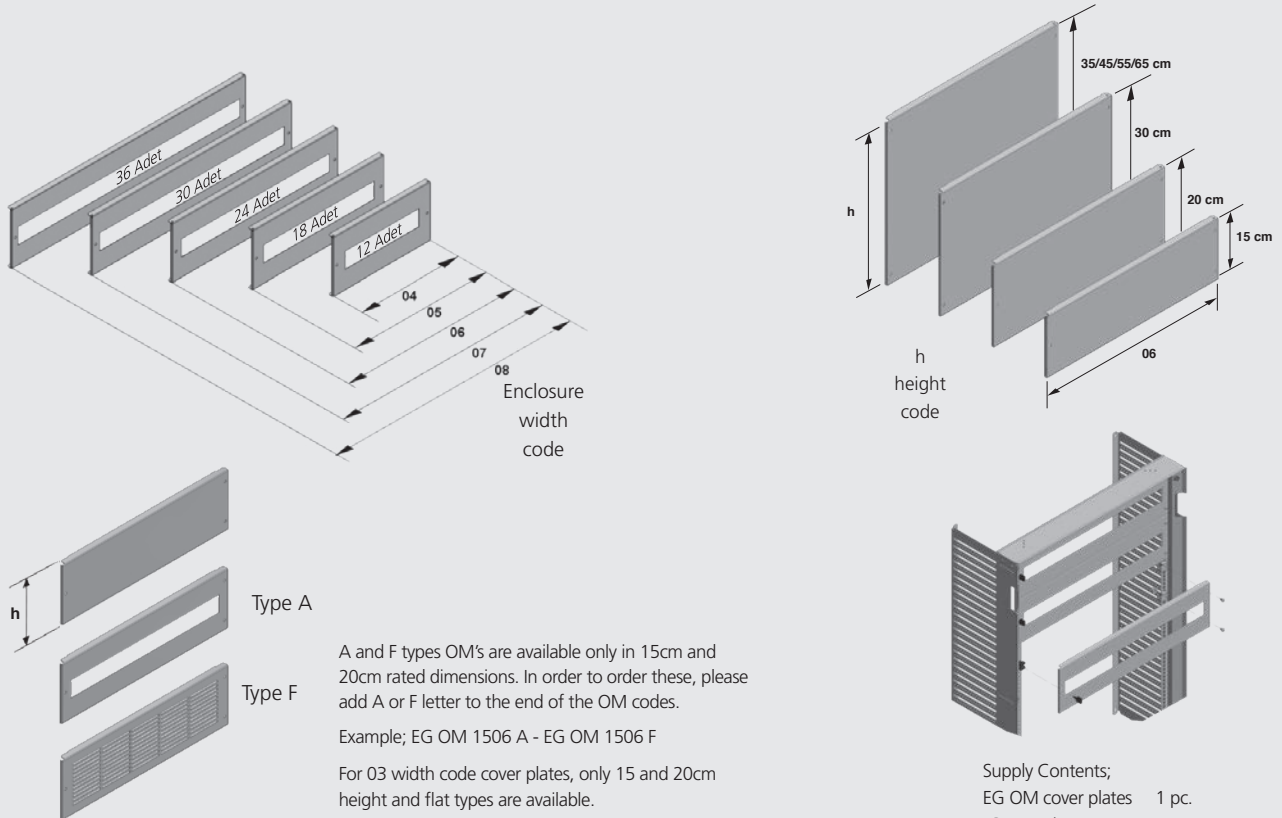
ORDER CODE	SUITABLE DIMENSION
EM OB 50 40	500x400
EM OB 60 40	600x400
EM OB 60 60	600x600
EM OB 70 50	700x500
EM OB 80 60	800x600
EM OB 80 80	800x800
EM OB 90 60	900x600
EM OB 100 60	1000x600
EM OB 100 70	1000x700
EM OB 100 80	1000x800
EM OB 120 60	1200x600
EM OB 120 80	1200x800

Note: EM DS Depth Adjustment System is not capable to be used with EM OB Full Height Cover.

ACCESSORIES

OM COVER PLATES (Hinged)

Plate cut-outs are suitable for DIN rail type equipments.



A and F types OM's are available only in 15cm and 20cm rated dimensions. In order to order these, please add A or F letter to the end of the OM codes.

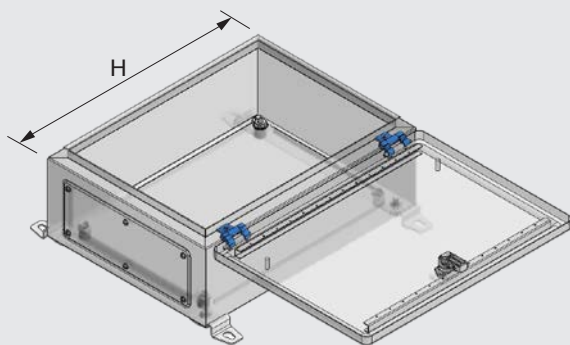
Example; EG OM 1506 A - EG OM 1506 F

For 03 width code cover plates, only 15 and 20cm height and flat types are available.

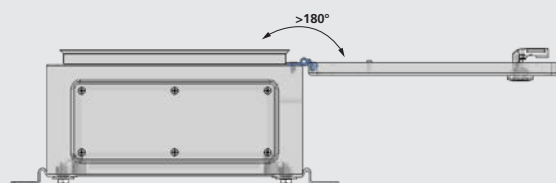
Note: EM DS accessories must be selected to apply EG OM front covers inside the enclosure.

If you need to add partial mounting plate from EAE, please advise the height of mounting plates and quantities.

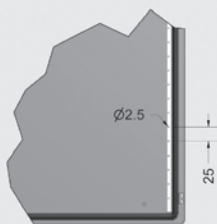
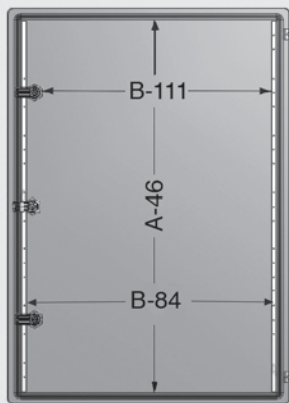
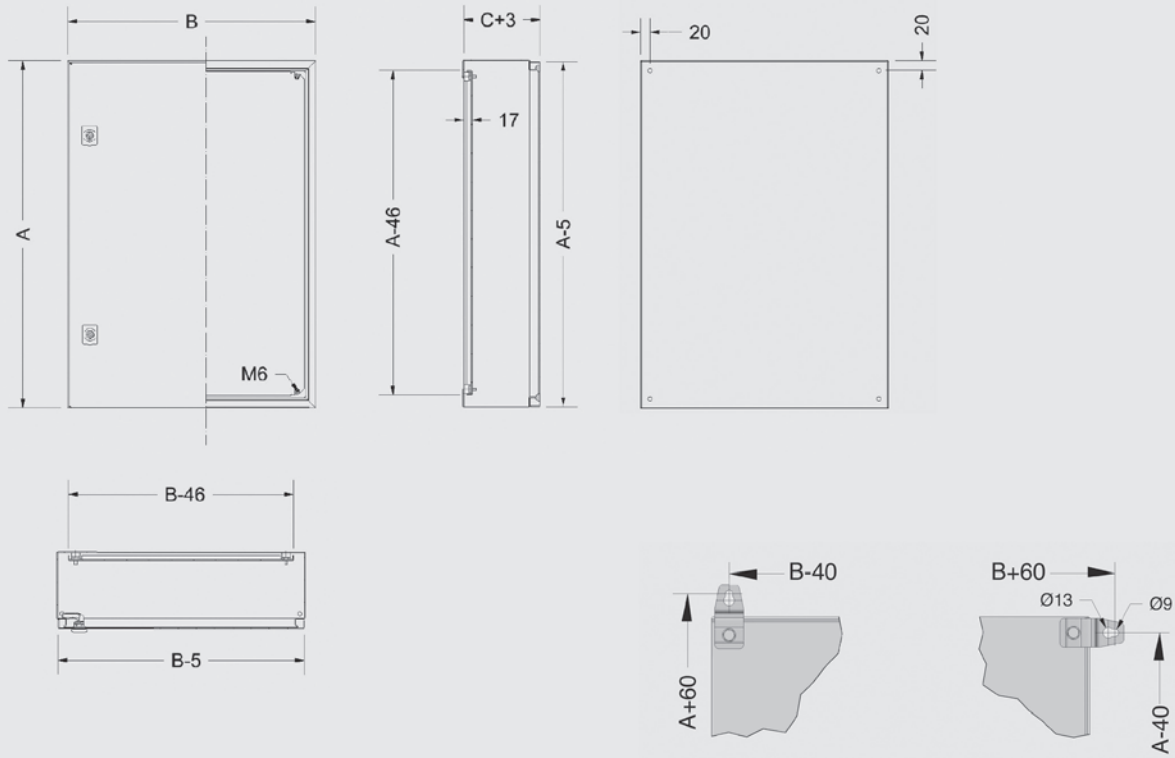
180° HINGE SET



ORDER CODE	DESCRIPTION	SUITABLE HEIGHT
EM TA 3M	EM 180 DEGREE TRIPLE HINGE SET	H ≥ 70 cm
EM TA 2M	EM 180 DEGREE DOUBLE HINGE SET	H < 70 cm



DIMENSIONS



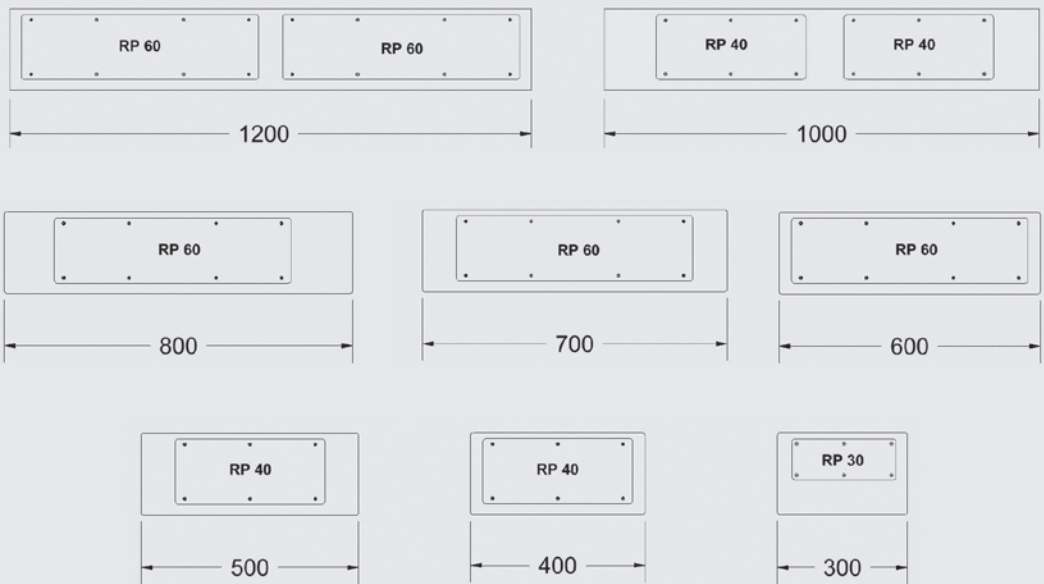
ORDER CODE	HEIGHT	WIDTH	DEPTH
	A	B	C
EM 40 30 20	400	300	200
EM 50 40 20	500	400	200
EM 60 40 20	600	400	200
EM 60 60 30	600	600	300
EM 70 50 20	700	500	200
EM 70 50 30	700	500	300
EM 80 60 20	800	600	200
EM 80 60 30	800	600	300
EM 80 80 30	800	800	300
EM 90 60 30	900	600	300
EM 100 60 30	1000	600	300
EM 100 70 30	1000	700	300
EM 100 80 30	1000	800	300
EM 100 80 40	1000	800	400
EM 120 60 30	1200	600	300
EM 120 80 30	1200	800	300
EM 120 80 40	1200	800	400

Unless otherwise specified all dimensions are in mm.

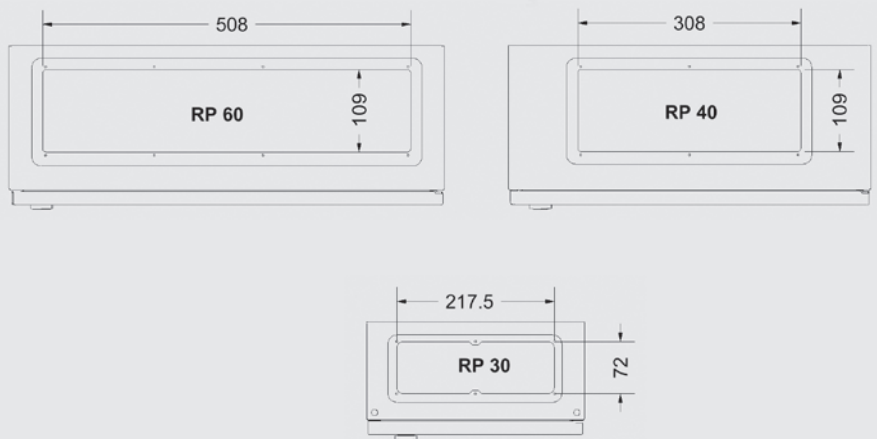
DIMENSIONS

GLAND PLATE COMBINATIONS

Depth 200, 300 and 400 mm



GLAND PLATES





Please check our website for updated catalogues and certificates.
www.eaeelektroteknik.com/en/support-download-center/



www.eaeelektroteknik.com

EAE Elektroteknik A.S.

İkitelli Organize Sanayi Bölgesi
Eski Turgut Özal Caddesi
Ziya Gökalp Mahallesi No: 20
34490 Basakşehir - İstanbul / TURKEY
Phone: +90 (212) 549 26 39 (pbx)
Fax : +90 (212) 549 37 91
E-mail: exportsales@eae.com.tr