



E-KABIN L SERIES

FLOOR STANDING ELECTRICAL ENCLOSURES

FLOOR STANDING ELECTRICAL ENCLOSURES

www.eaeelektrotechnik.com

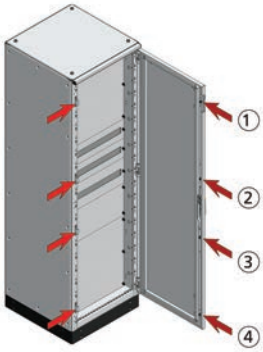


E-Kabin L Series Modular Floor Standing LV Electrical Enclosures

E-Kabin L Series electrical enclosures are designed to be used in indoor electrical installations. Their simple design provides functionality and economic solutions for various applications.

Application	: Indoor
Protection class	: IP40
Framework	: Pre-galvanized steel
Paint	: Epoxy -polyester powder paint
Colour	: Standard RAL 7035
Environment class	: EN 60721 - 3 - 3 - IE32
Standards	: IEC 61439-1 IEC 62208 IEC 60529 IEC 62262

Features



Reliable locking system

Locking system enables the door to be fixed to the framework at four different points.



Easy electrical assembly, common accessories

Thanks to robust framework and internal mounting accessories door, back and side panel fixing is carried out after electrical assembly. Internal mounting accessories are designed to be used in all E-Kabin series.



Door with ventilation modules

Ventilation module option for high-capacity natural ventilation.



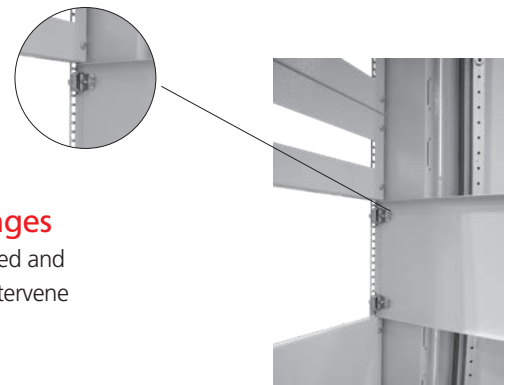
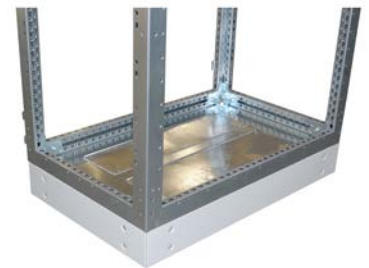
Polyurethane sealing gasket

Foam-in-place gasket applied to door does not lose its elasticity in time and provides protection against dust and water.



IP40 Modular bottom plate arrangement

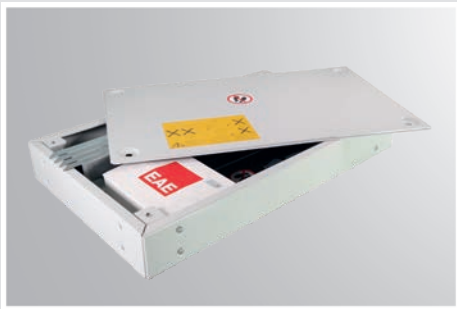
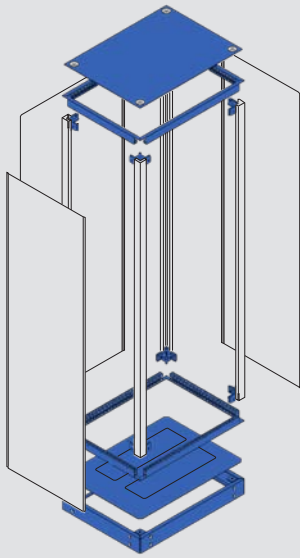
Bottom plate arrangement complying with IP40 protection degree provides comfort with possibility of sliding pieces. Bottom plates can be equipped with different brushes which are supplied as accessories.



Front cover plates with hinges

Cover Plates are manufactured as hinged and openable. So, it provides easy job to intervene without removing the cover plate.

Panel - Framework



Module Set - EL MS

Supply contents include horizontal profiles, roof panel and bottom plate.

- Material : Pre-Galvanised Steel Sheet
- Colour : Ral 7035 W (Grey Colour)
- Content : Horizontal profile (for width)- 4 pcs.
Horizontal profile (for depth)- 4 pcs.
Roof Panel - 1 pc.
Roof Panel Connection Set - 1 pc.
Plinth Set - 1pc.
Plinth Set Connection Set - 1 pc.
Corner Fixing Kit - 1 pc.

Series EL

Module Set

Enclosure Rated Width	Enclosure Rated Depth	Order Codes
400	400	EL MS 0404
	500	EL MS 0405
	600	EL MS 0406
	700	EL MS 0407
	800	EL MS 0408
500	400	EL MS 0504
	500	EL MS 0505
	600	EL MS 0506
	700	EL MS 0507
	800	EL MS 0508
600	400	EL MS 0604
	500	EL MS 0605
	600	EL MS 0606
	700	EL MS 0607
	800	EL MS 0608
700	400	EL MS 0704
	500	EL MS 0705
	600	EL MS 0706
	700	EL MS 0707
	800	EL MS 0708
800	400	EL MS 0804
	500	EL MS 0805
	600	EL MS 0806
	700	EL MS 0807
	800	EL MS 0808

Module Sets for Enclosures with Overlapping Door

Enclosure Rated Width	Enclosure Rated Depth	Order Codes
1000	400	EL MS 5504
	500	EL MS 5505
	600	EL MS 5506
	700	EL MS 5507
	800	EL MS 5508
1200	400	EL MS 6604
	500	EL MS 6605
	600	EL MS 6606
	700	EL MS 6607
	800	EL MS 6608

*All dimensions are in mm.

Vertical Profile Set - EL DP

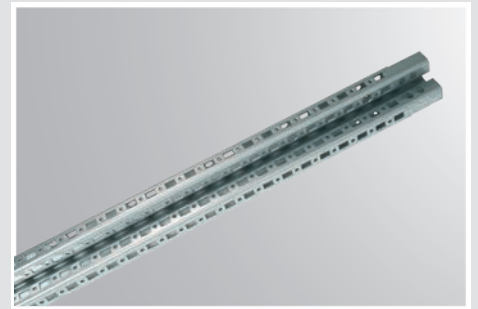
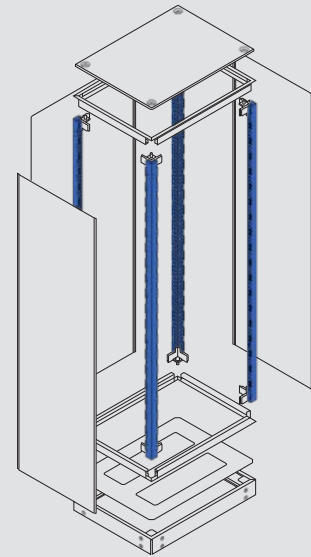
EL DP is used vertical wise to assemble the enclosure framework.

Material : Pre-Galvanised Steel
 Surface : Not Painted
 Content : Vertical Profiles - 4 pcs.

Series 

Vertical Profile Set

Enclosure Rated Height	Order Code
1800	EL DP 18
2000	EL DP 20



Vertical Intermediary Profile - EL DO

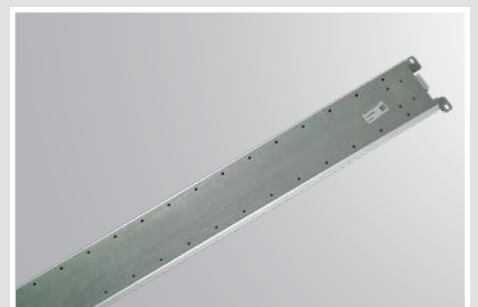
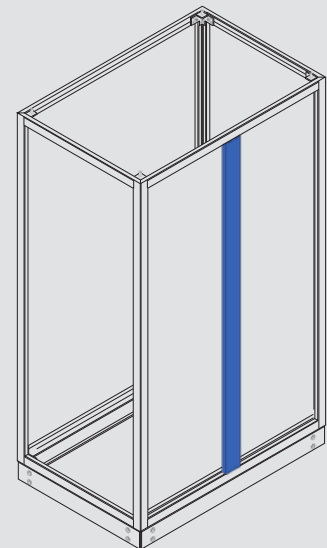
EL DO is designed to use fixed panels at the rear side of overlapping door products.

Material : Galvanised Steel Sheet
 Surface : Not Painted
 Content : Vertical Intermediary Profile -1 pc.
 Connection Set -1 pc.

Series 

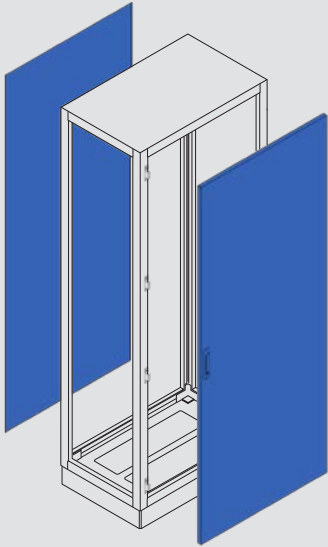
Vertical Intermediary Profile

Enclosure Rated Height	Order Code
1800	EL DO 18
2000	EL DO 20



*All dimensions are in mm.

Panel - Framework



Front Door and Rear Fixed Panel - EL OA

Material : Pre-Galvanised Steel Sheet
 Colour : Ral 7035W (Grey Colour)
 Content : Front Door - 1 pc.
 Rear Fixed Panel - 1 pc.
 (There are 2 pcs. of Rear Fixed Panels for Overlapping Doors)
 Lock - 1 pc.
 Front Door Connection Set - 1 pc.
 Rear Fixed Panel Connection Set - 1 pc.

Series

EL

Note: For overlapping doors, suitable EL DO (Page.7) must be selected separately.

Front Door and Rear Fixed Panel

Enclosure Rated Height	Enclosure Rated Depth&Width	Order Code
1800	400	EL OA 1804
	500	EL OA 1805
	600	EL OA 1806
	700	EL OA 1807
	800	EL OA 1808
	500+500	EL OA 1855
	600+600	EL OA 1866
2000	400	EL OA 2004
	500	EL OA 2005
	600	EL OA 2006
	700	EL OA 2007
	800	EL OA 2008
	500+500	EL OA 2055
	600+600	EL OA 2066

MA Mounting Rails for In-Door Fixing

Front Door Width	Length L	Code
50 cm	34,5 cm	EG MA 0350
60 cm	44,5 cm	EG MA 0450
70 cm	54,5 cm	EG MA 0550
80 cm	64,5 cm	EG MA 0650



*All dimensions are in mm.

Panel - Framework

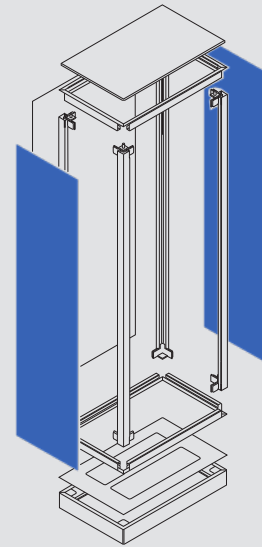


Side Fixed Panel Set - EL YS

It is used to cover the sides of the enclosures.

- Material : Pre-Galvanised Steel Sheet
- Colour : Ral 7035W (Grey Colour)
- Content : Fixed Panel - 2 pcs.
Connection Set - 2 pcs.

Series



YS Fixed Panel Set

Enclosure Rated Height	Enclosure Rated Depth&Width	Order Code
1800	400	EL YS 1804
	500	EL YS 1805
	600	EL YS 1806
	700	EL YS 1807
	800	EL YS 1808
2000	400	EL YS 2004
	500	EL YS 2005
	600	EL YS 2006
	700	EL YS 2007
	800	EL YS 2008



*All dimensions are in mm.

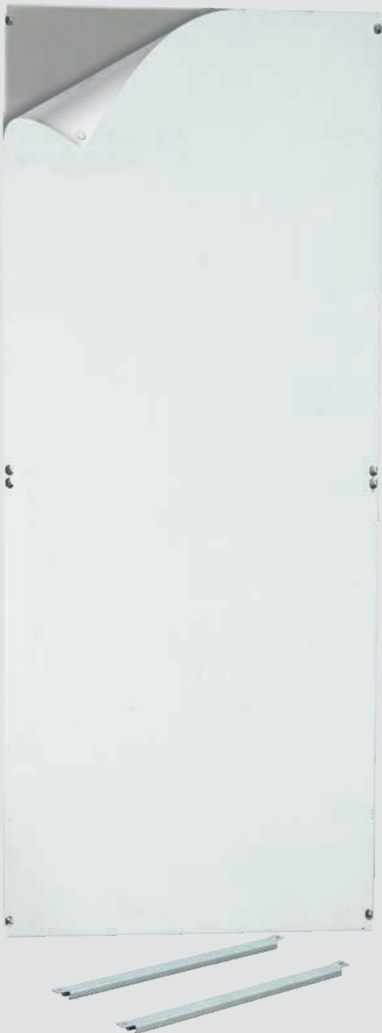
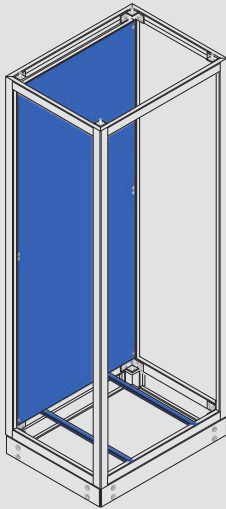
Accessories

Full Height Mounting Plates - EG MK

Designed for general usage.

Material : Pre-Galvanised Steel Sheet
 Content : Full Height Mounting Plate - 1 pc.
 Connection Set - 1 pc.

Series



Order Coding Table

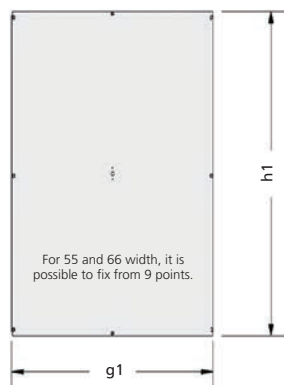
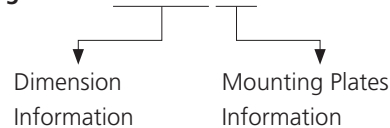
Enclosure Rated Height	Enclosure Rated Width	Enclosure Rated Depth	Sheet Thickness
YY	GG	DD	TXX
12*	04	04	T15
14*	05	05	T20
16*	06	06	T30
18	07	07	
20	08	08	
22	10		
	12		

* In these dimensions (Y=12,14,16) T15 and T30 type height mounting plates cannot be used.

Mounting Plates Information

TXX	Sheet Thickness	Maximum Carriage Capacity	Surface Protection
T15	1,5 mm	300 kg	Without Folio
T20	2 mm	600 kg	With Folio
T30	3 mm	600 kg	Without Folio

Example Coding: EG MK 20 08 05 T20

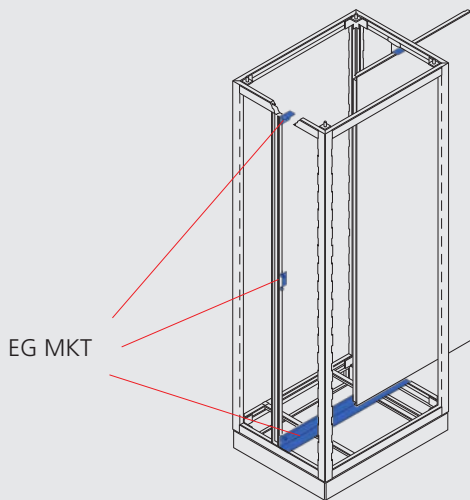


Height	Net Dimension h1	Width	Net Dimension g1
1800	1645 mm	400	346 mm
2000	1845 mm	500	446 mm
2200	2045 mm	600	546 mm
		700	646 mm
		800	746 mm
		1000	946 mm
		1200	1146 mm

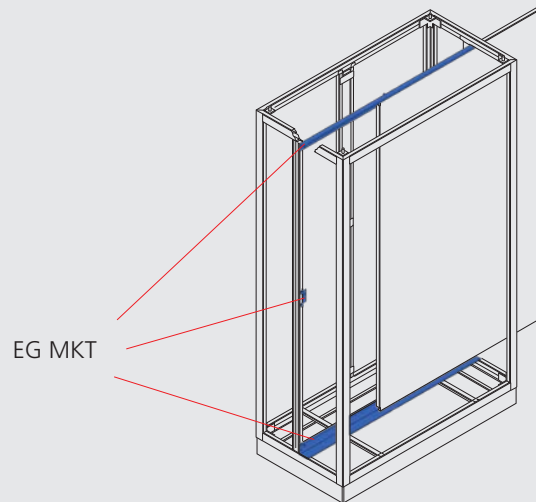
Full height mounting plates can be fixed on rear vertical profiles. If full height mounting plate is required to be adjustable through the depth, Sliding Holder Accessories must be used. Sliding Holder Accessories must be ordered separately. Page.11.

*All dimensions are in mm.

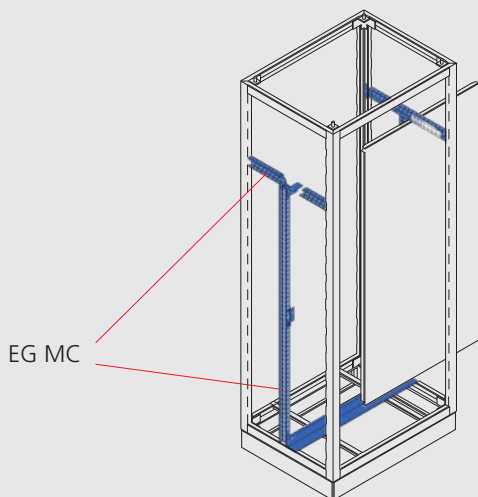
Full Height Mounting Plates Application Examples



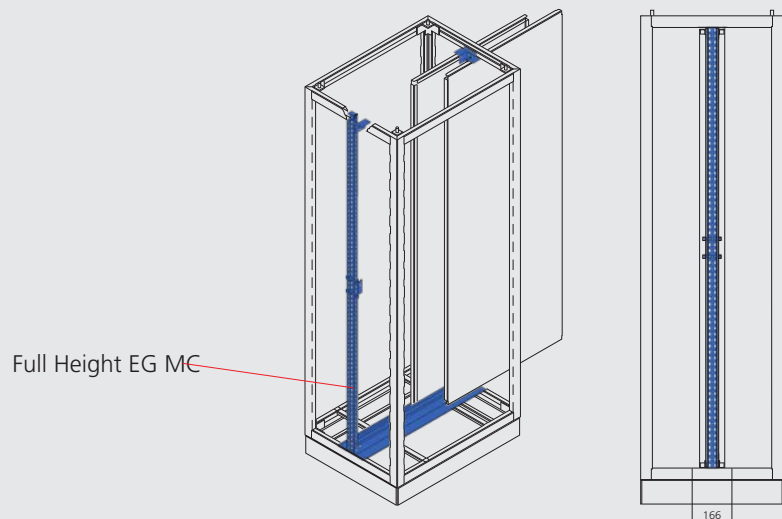
Adjustable Depth Application



≥1000 mm Adjustable Depth Application for Width

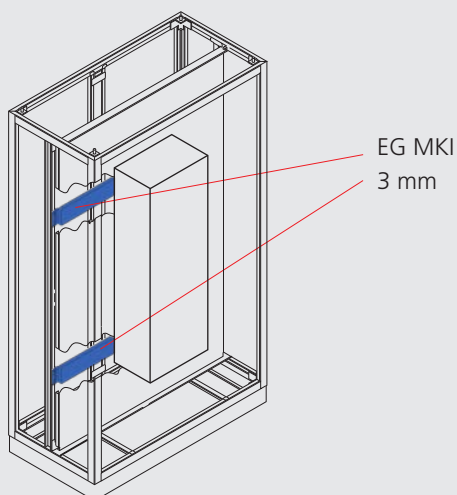


Short Height MK Application



Full Height EG MC

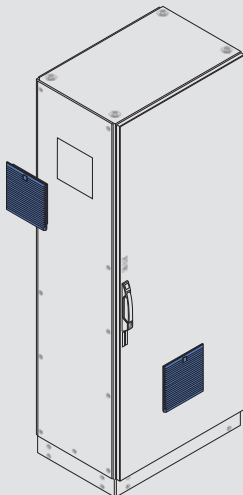
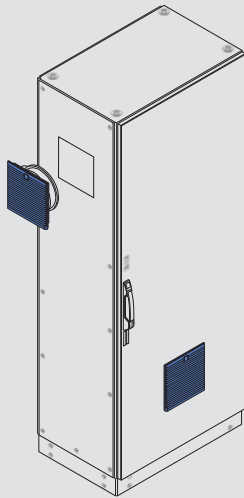
Back to Back MKs Application



Internal Support Application

In the internal support application, heavy mounting loads are properly fixed by using EG MKI accessories. This part is used at the back of mounting plates.

Accessories



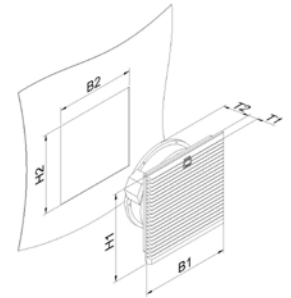
Filtered Fan - EG FAN

It is designed for cooling when the ambient temperature is lower than the interior temperature.

- Quick and easy mounting without tools
- Quick and easy filter change from outside
- IP44 protection degree

Material : ABS
 Colour : Ral 7035 (Grey Colour)
 Content : Plastic Filtered Fan - 1 pc.

Series EL ES ED XS



*If IP54 is required, please contact your customer representative.

Louvres With Fan and Filter

Order Code	Product Dimension	Voltage V	Frequency Hz	Flow A	Power W	Noise Level Dba	Fan Flow m ³ /h
EG FAN 12	150x150	220/240	50/60	0,14	21	48	82
EG FAN 25	250x250	220/240	50/60	0,22	38	59	300

Roller bearing motors are used in fans.

Louvres With Fan and Filter - Dimensions

Order Code	B1 x H1 mm	B2 x H2 mm	T1 mm	T2 mm
EG FIL-FAN 12	150x150	123x123	13	67
EG FIL-FAN 25	250x250	223x223	13	115

Filtered Louvres - EG FIL

It is designed and used for cooling when the ambient temperature is lower than the interior temperature.

- Quick and easy mounting without tools
- Quick and easy filter change from outside
- IP44 protection degree

Material : ABS
 Colour : Ral 7035 (Grey Colour)
 Content : Plastic Filtered Fan - 1 pc.

Series EL ES ED XS

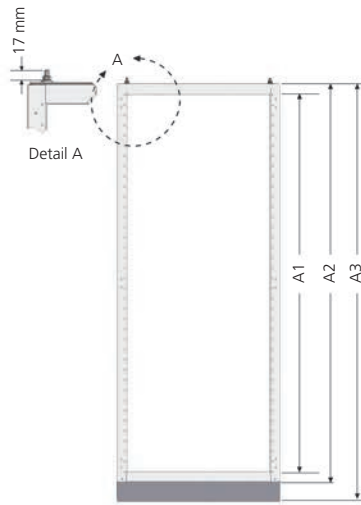
*If IP54 is required, please contact your customer representative.

Filtered Louvres

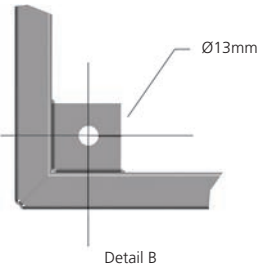
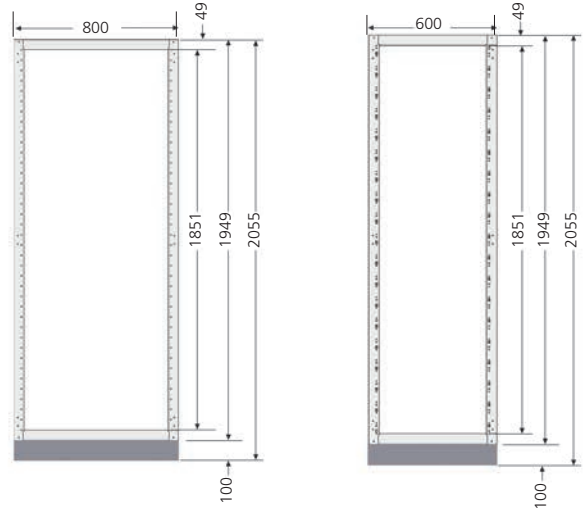
Product Dim.	Protection	Order Code
150x150	IP44	EG FIL 12 44
250x250	IP44	EG FIL 25 44

*All dimensions are in mm.

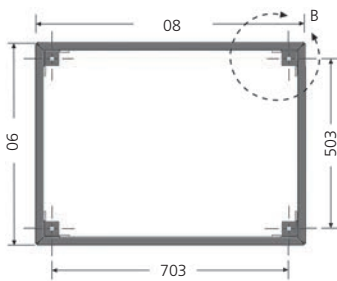
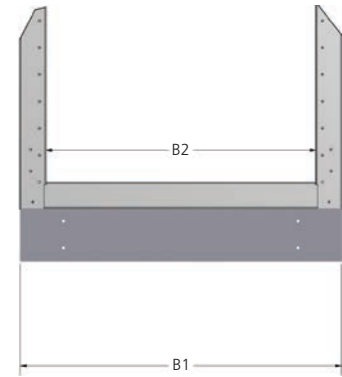
Dimensions



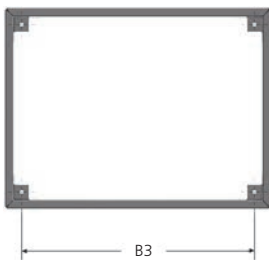
Example Dimension



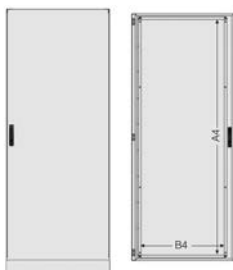
Net Dimensions	Enclosure Rated Height
	2000
A1	1851 mm
A2	1949 mm
A3	2055 mm



Net Dimensions	Enclosure Rated Depth&Width				
	400	500	600	700	800
B1	396 mm	496 mm	596 mm	696 mm	796 mm
B2	301 mm	401 mm	501 mm	601 mm	701 mm
B3	303 mm	403 mm	503 mm	603 mm	703 mm



D0



D0 type front door usage area height dimensions (A4)

Dimension / A4	EL OK 20
Net Dimension	1805 mm

D0-1-3 type front door usage area width dimensions (B4)

Dimension/ B4	300	400	500	600	700	800
Net Dimension	140 mm	240 mm	340 mm	440 mm	540 mm	640 mm

Example: EL OK 2008 D0



*All dimensions are in mm.



Please check our website for updated catalogues and certificates.
www.eaeelektroteknik.com/en/support-download-center/



www.eaeelektroteknik.com

EAE Elektroteknik A.S.

İkitelli Organize Sanayi Bölgesi
Eski Turgut Özal Caddesi
Ziya Gökalp Mahallesi No: 20
34490 Basakşehir - İstanbul / TÜRKİYE
Phone: +90 (212) 549 26 39 (pbx)
Fax : +90 (212) 549 37 91
E-mail: exportsales@eae.com.tr