



E-KABİN K SERIES

MONOBLOCK CONSOLE

MONOBLOCK CONSOLE

www.eaeelektrotechnik.com

CONTENTS

Introduction	1
Features	2
Order Codes	4
Dimensions	5



E-Kabin K Series Monoblock Console

E-Kabin K Series Monoblock Consoles are designed for general purpose electrical applications.

Application	: Indoor
Protection class	: IP 55
Paint	: Epoxy-polyester powder paint
Colour	: Standard RAL 7035
Environment Class	: According to -EN 60721 - 3 - 3 - IE32
Standards	: IEC 61439-1, IEC 62208 IEC 60529, IEC 62262

FEATURES

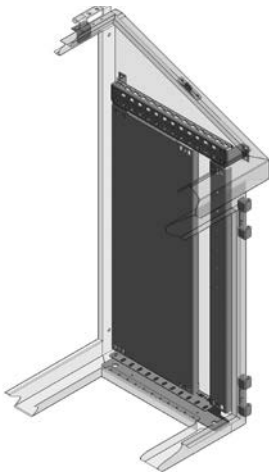
Openable Rear Door

It provides easy installation, thanks to its hinged back cover.



Assembly Availability On Sides

The locations of mounting profiles makes it possible to use side of the assembly surfaces maximum area.



IP 55 Protection Class Against Dust and Liquid

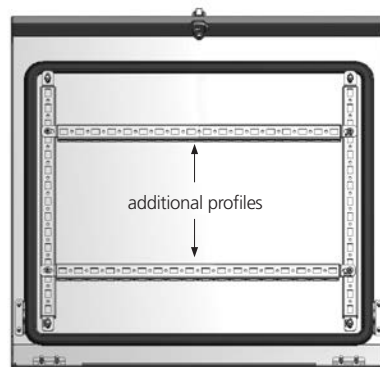
Foam-in-place gasket applied to door does not lose its elasticity in time and provides protection against dust and water.



2 pcs in-door profiles are included in standard supply contents.

In-Door Profiles

In-door profiles allow the use of additional profiles.



FEATURES



Top Cover With Gas Spring

Both sides gas springs, which enables us to open and close top cover in safe mode, are included as standard supply content in monoblock console.



Availability To Use Double Mounting Plates

Second mounting plates which can be selected as an accessory, can be used and fixed inside the console



Modular bottom plate arrangement

Bottom plate arrangement complying with high protection degree provides comfort with possibility of sliding pieces. Bottom plates can be equipped with different brushes which can be supplied as accessories.



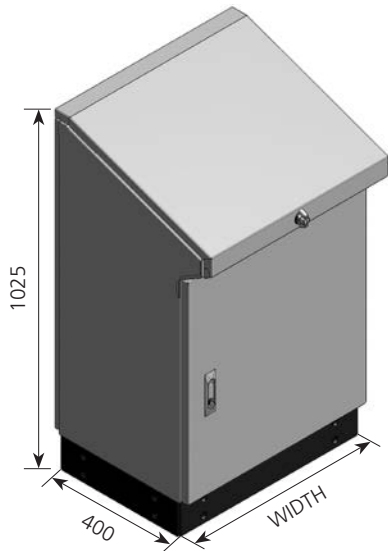
Brush should be ordered separately.

The Depth Adjustment Availability For Mounting Plate

Mounting plate can be adjusted along depth thanks to side mounting profile.

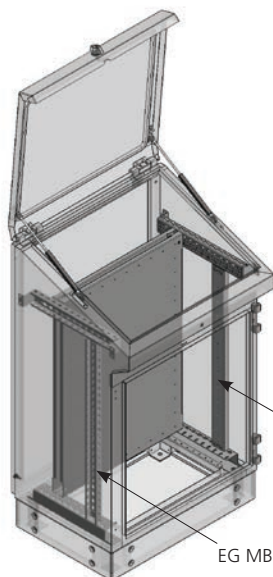


ORDER CODES



WIDTH (B)	ORDER CODES
600	EK 0604
800	EK 0804
1000	EK 1004
1200	EK 1204

Mounting Plates



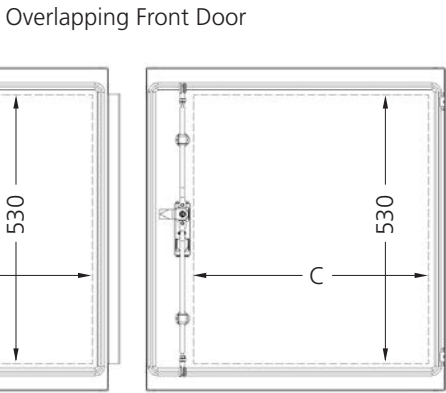
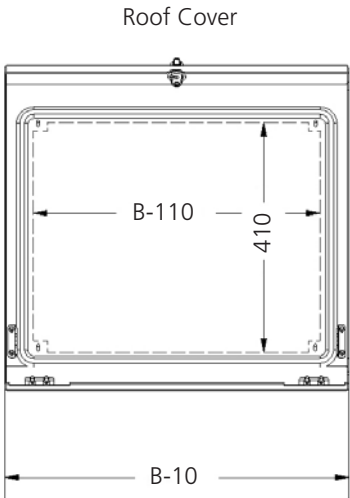
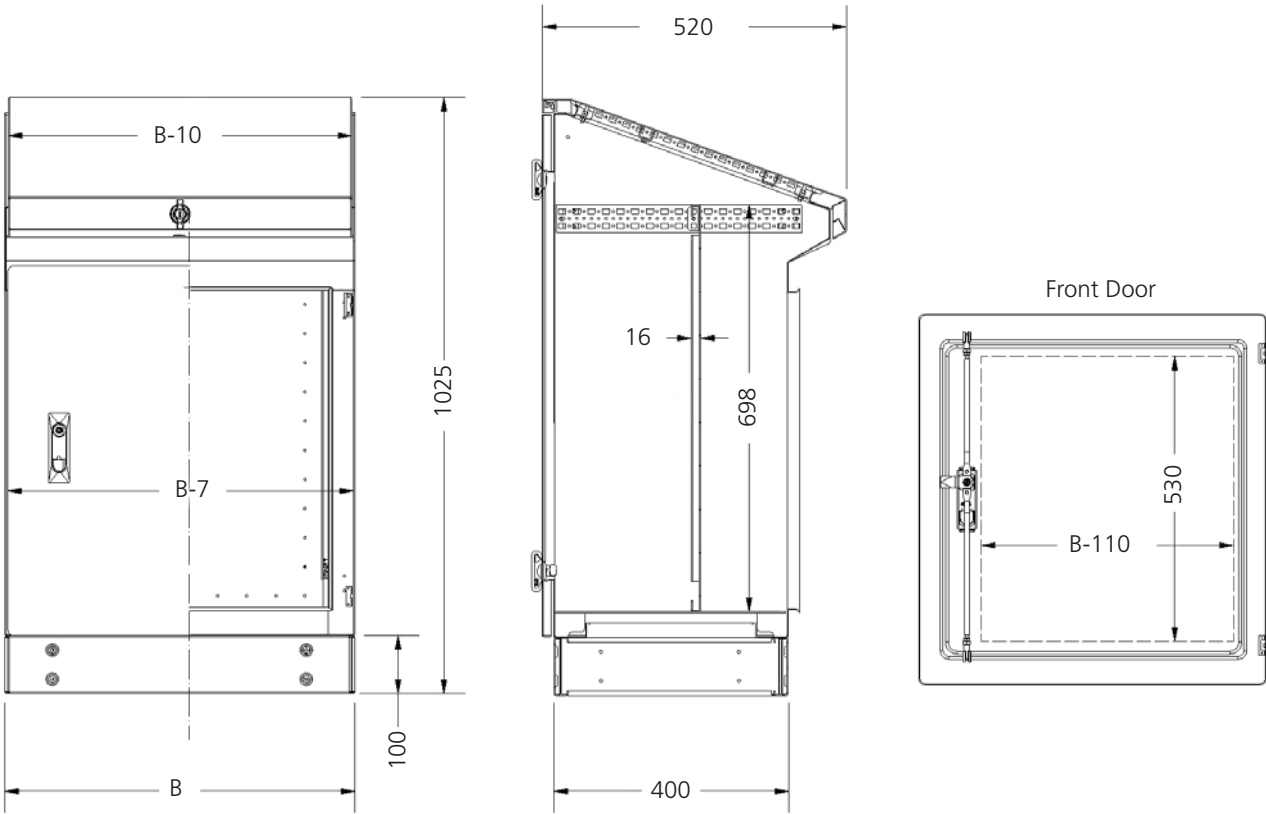
EK MN MOUNTING PLATES		
Height	Width	Order Code
698	492	EK MK 06
698	692	EK MK 08
698	892	EK MK 10
698	1092	EK MK 12

Suitable for Standard E-Kabin Interior Accessories.

Sample Application

Unless otherwise specified all dimensions are in mm.

DIMENSIONS



OVERLAPPING FRONT DOOR		
Width (B)	Overlapping Cover (A)	Overlapping Cover (C)
1000	435	390
1200	535	490

B= Width

Unless otherwise specified all dimensions are in mm.



Please check our website for updated catalogues and certificates.

www.eaelektroteknik.com/en/support-download-center/



TS EN 62208
TS EN 61587-1



IEC 61439-1/2



CI|cert
ISO 27001-2013



www.eaelektroteknik.com

EAE Elektroteknik A.S.

İkitelli Organize Sanayi Bölgesi

Eski Turgut Özal Caddesi

Ziya Gökalp Mahallesi No: 20

34490 Basakşehir - İstanbul / TURKEY

Phone: +90 (212) 549 26 39 (pbx)

Fax : +90 (212) 549 37 91

E-mail: exportsales@eae.com.tr